



Floor Hinge Series



Silent



Smartness



Long-Lasting

- Fluid floor hinges series is suitable for all types of commercial & residential areas in variant sizes.





 **FLUID**
SS 304

011F Series Floor Hinges

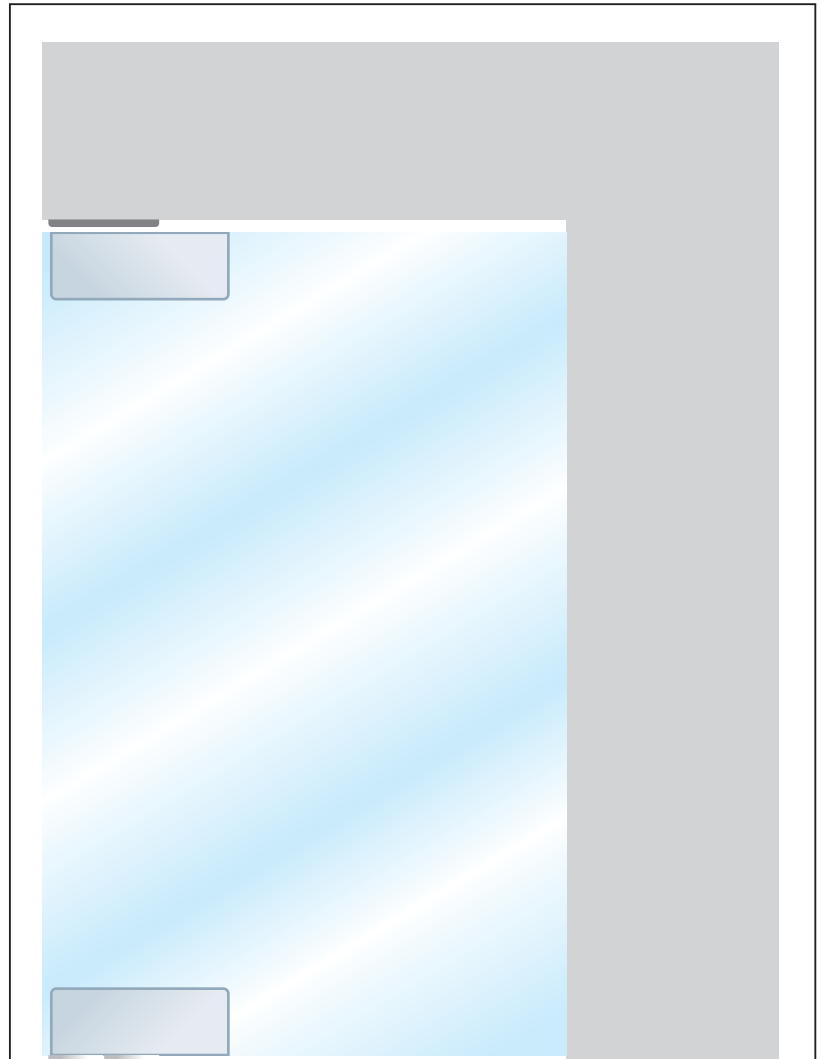
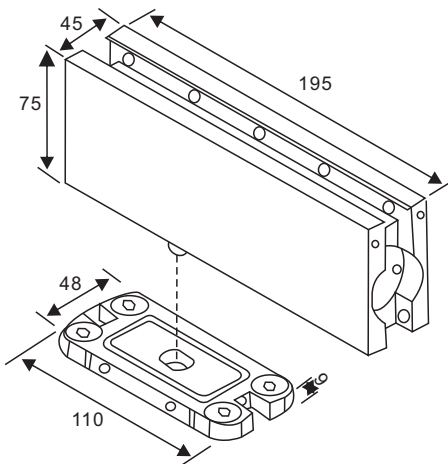
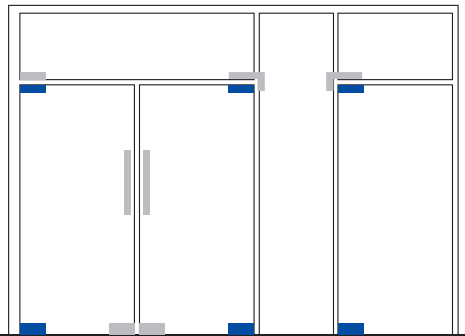
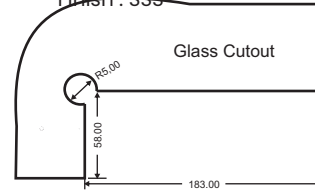
011F03100

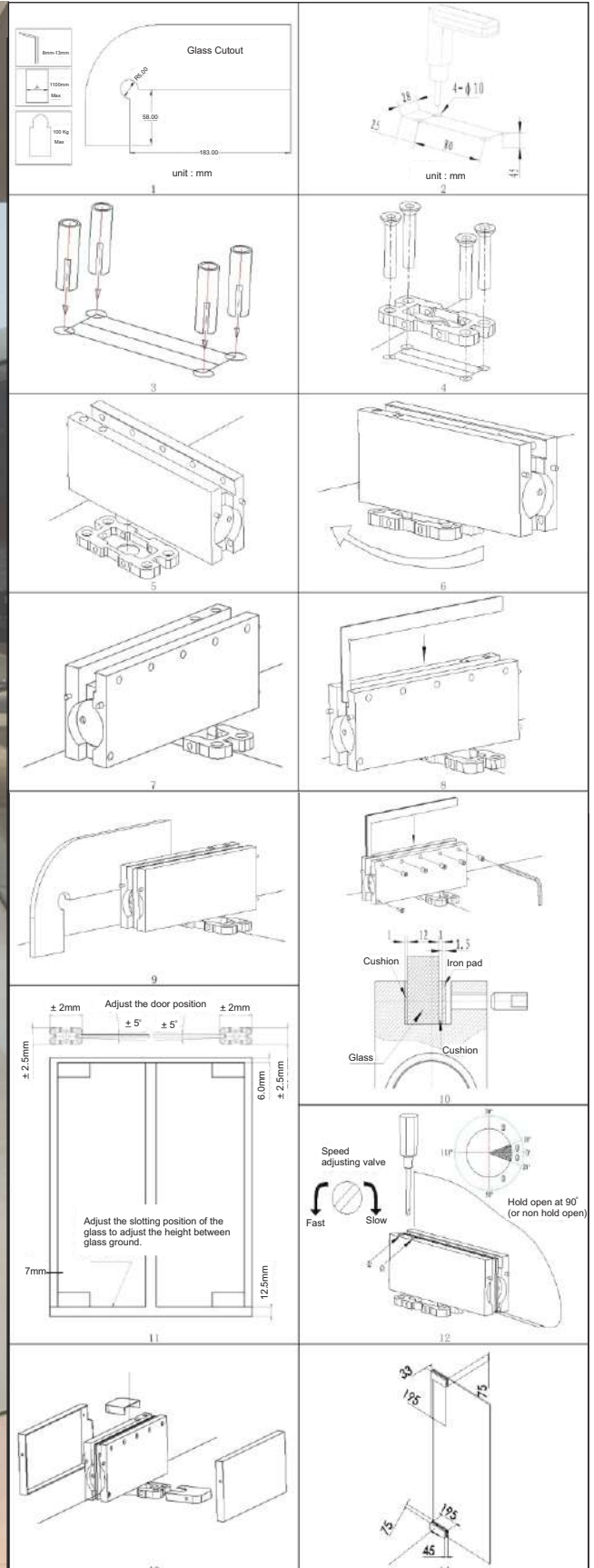
Concealed Floor Hinge for Frameless Doors (EN 1-3)



SPECIFICATIONS

- Quick and Easy Installation
- Weight Capacity: Max 100kg.
- Maximum Door Width: 1000mm
- Thickness: 8-12mm
- Ambient Temperature : -20° C to +50° C
- Easy Installation with Base Seat
- Tested 5,00,000 Cycles
- Finish : SSS





011F Series Floor Hinges

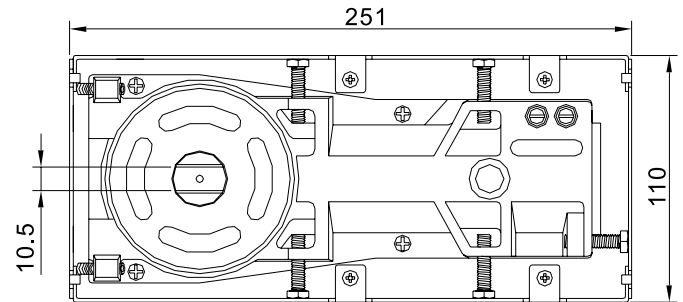


011F03180

Floor Hinge (EN 1-3)

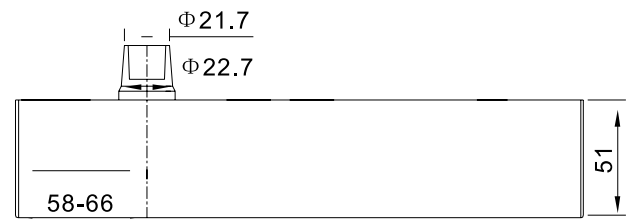
SPECIFICATIONS

- Floor Hinge for Glass & Wooden Doors
- Door Weight Capacity: 80 Kg
- Maximum Door Width: 900mm
- Hold Open : 90°
- Tested : 5,00,000 Cycles
- Installation Dimension : L-251,W-110, H-51mm
- Finish : SSS



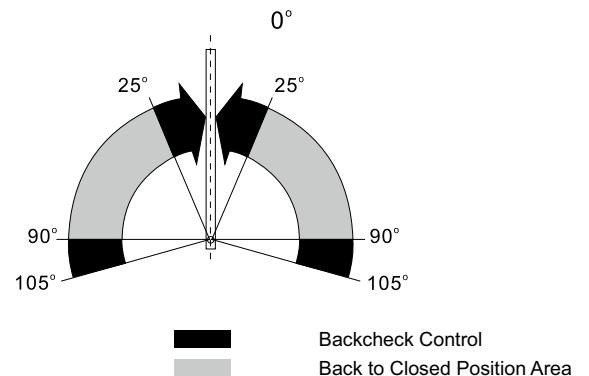
The Function Instruction

1. Select the high quality steel for transmission parts. The service life of Italy oil seal is over half a million times.
2. General designed is suitable for opening doors with left/right hand and single opening.
3. Filled with high quality anti-icing hydraulic oil, ensuring that closing speed won't be affected at minus 20 degrees.
4. Can adjust 5 mm all around in the metal box, and adjust $\pm 2^\circ$ in longitudinal direction during zero calibration, making installation easier.



Technological Data

Door weight	80kg
Dimension of appearance	251x110x51mm
Suitable for door size	900x2100mm
Location degree	90°
Double action door	<input checked="" type="checkbox"/>
2 Section speed adjustment valve	<input checked="" type="checkbox"/>

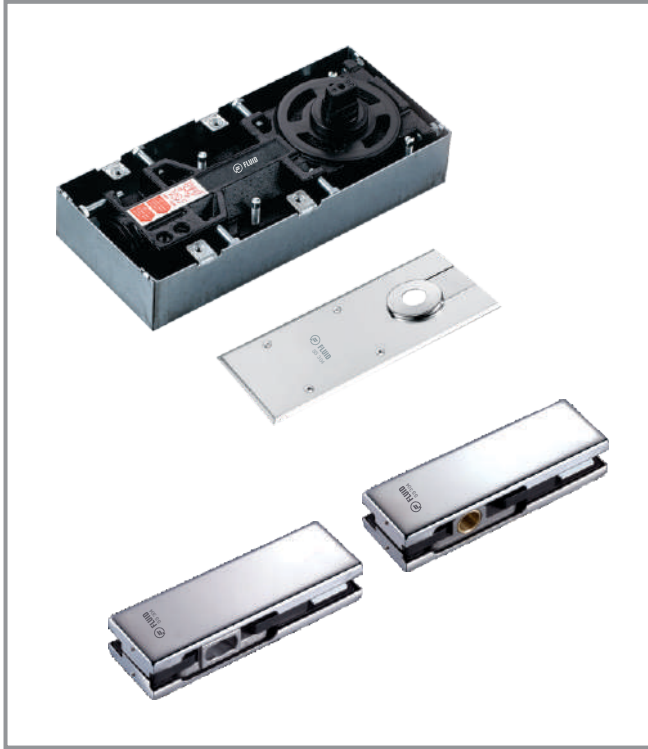




Product Name	Item Code	Pcs/Ctn
Wooden Door Accessories Top & Bottom (Gold)	011F03161	4
Wooden Door Accessories Top & Bottom (Silver)	011F03162	4



011F Series Floor Hinges

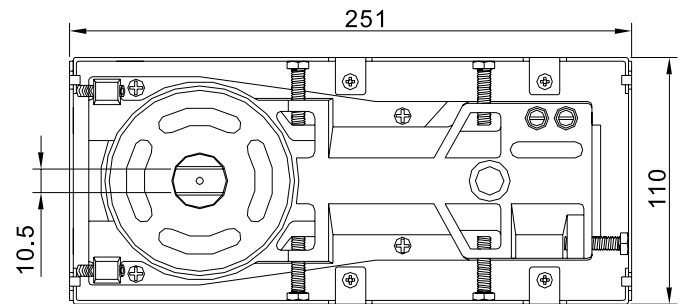


011F03180 Combo Set

Floor Hinge (EN 1-3)

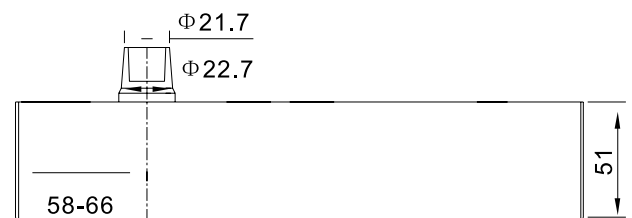
SPECIFICATIONS

- Floor Hinge for Glass & Wooden Doors
- Door Weight Capacity: 80 Kg
- Maximum Door Width: 900mm
- Hold Open : 90°
- Tested : 5,00,000 Cycles
- Installation Dimension : L-251,W-110, H-51mm
- Finish : SSS



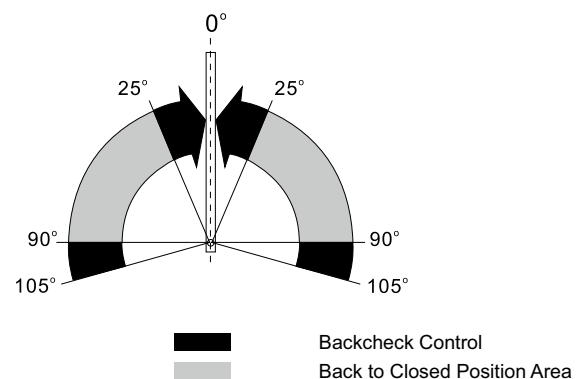
The Function Instruction

1. Select the high quality steel for transmission parts. The service life of Italy oil seal is over half a million times.
2. General designed is suitable for opening doors with left/right hand and single opening.
3. Filled with high quality anti-icing hydraulic oil, ensuring that closing speed won't be affected at minus 20 degrees.
4. Can adjust 5 mm all around in the metal box, and adjust $\pm 2^\circ$ in longitudinal direction during zero calibration, making installation easier.



Technological Data

Door weight	80kg
Dimension of appearance	251x110x51mm
Suitable for door size	900x2100mm
Location degree	90°
Double action door	<input checked="" type="checkbox"/>
2 Section speed adjustment valve	<input checked="" type="checkbox"/>





011F03105

Floor Hinge (EN 1-3)

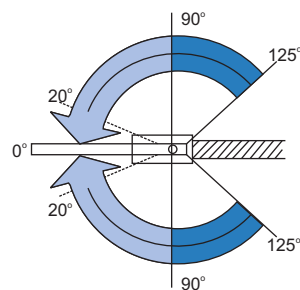
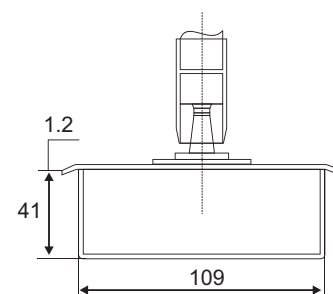
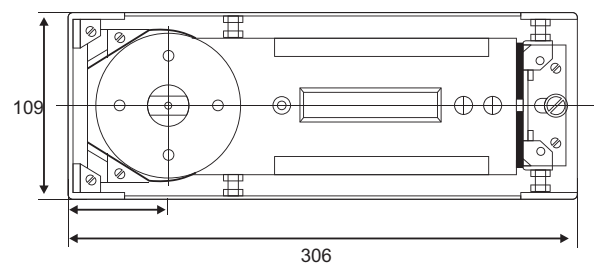
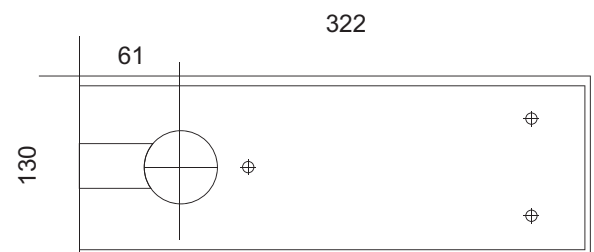
SPECIFICATIONS



- Maximum Door Weight : 105 Kg
- Maximum Door Width : 1000mm
- Hold Open : 90°
- Tested : 5,00,000 Cycles
- Installation Dimension : L-306, W-109, H-41mm
- Finish : SSS



INSTALLATION DETAILS :

- (A) Draw lines and make floor spring pivot center and door-nip pivot coincide with each other.
- (B) Drill holes on the floor according to the instructions, The size of the holes must tightly match the floor spring.
- (C) Place the floor spring into the holes and position it.
- (D) Raise the door leaf installed with door-nip, and insert the floor spring pivot into the hole for the door leaf.
- (E) Adjust the screws at three directions. Make them vertical and the upper & lower pivot center coincide with each other.
- (F) Adjust the speed of door closing.
- (G) Put the decoration cover on the floor spring.



-  Buffer Zone
-  Back to Close Position Area

011F Series Floor Hinges



011F03120 Floor Hinge (EN 2-4)

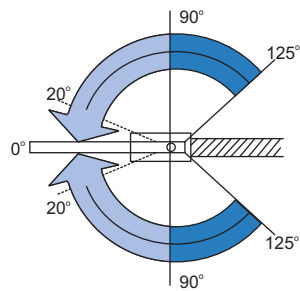
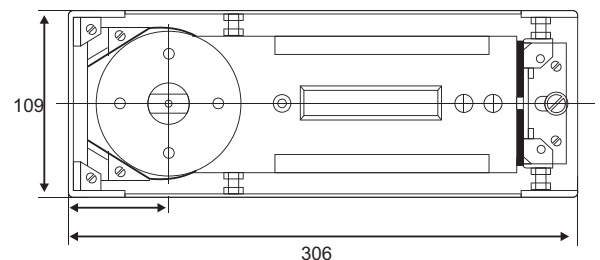
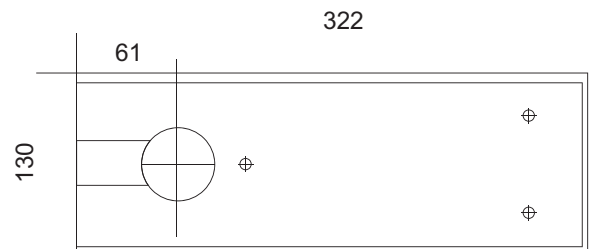


SPECIFICATIONS

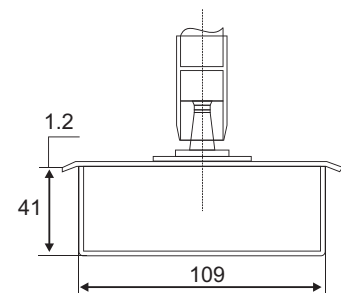
- Maximum Door Weight : 120 Kg
- Maximum Door Width : 1100mm
- Hold Open : 90°
- Tested : 5,00,000 Cycles
- Installation Dimension : L-306, W-109, H-41mm
- Finish : SSS

INSTALLATION DETAILS :

- Draw lines and make floor spring pivot center and door-nip pivot coincide with each other.
- Drill holes on the floor according to the instructions, The size of the holes must tightly match the floor spring.
- Place the floor spring into the holes and position it.
- Raise the door leaf installed with door-nip, and insert the floor spring pivot into the hole for the door leaf.
- Adjust the screws at three directions. Make them vertical and the upper & lower pivot center coincide with each other.
- Adjust the speed of door closing.
- Put the decoration cover on the floor spring.



- Buffer Zone
- Back to Close Position Area





011F03150

Floor Hinge (EN 3-5)

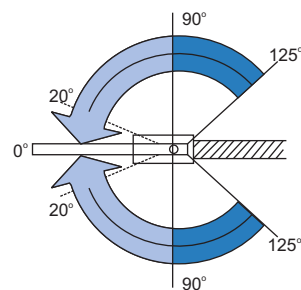
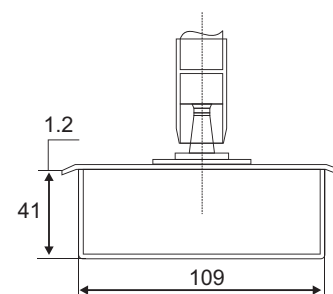
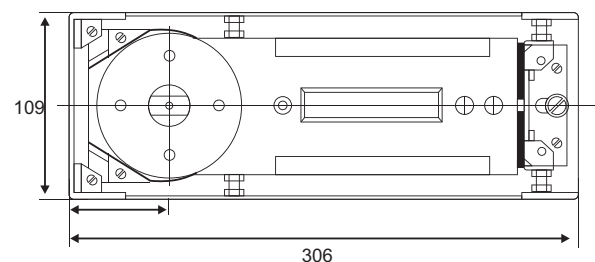
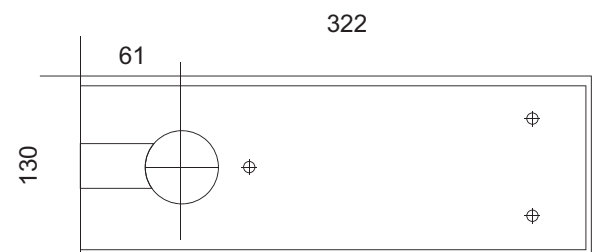
SPECIFICATIONS

- Maximum Door Weight : 150 Kg
- Maximum Door Width : 1200mm
- Hold Open : 90°
- Tested : 5,00,000 Cycles
- Installation Dimension : L-306, W-109, H-41mm
- Finish : SSS



INSTALLATION DETAILS :

- (A) Draw lines and make floor spring pivot center and door-nip pivot coincide with each other.
- (B) Drill holes on the floor according to the instructions, The size of the holes must tightly match the floor spring.
- (C) Place the floor spring into the holes and position it.
- (D) Raise the door leaf installed with door-nip, and insert the floor spring pivot into the hole for the door leaf.
- (E) Adjust the screws at three directions. Make them vertical and the upper & lower pivot center coincide with each other.
- (F) Adjust the speed of door closing.
- (G) Put the decoration cover on the floor spring.



Buffer Zone

Back to Close Position Area

011F Series Floor Hinges

10
YEAR
GUARANTEE



011F23105 Floor Hinge (EN 1-3)

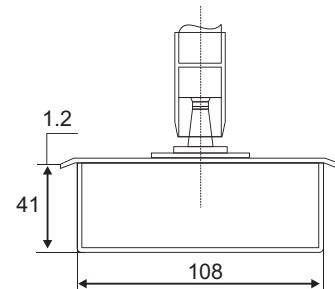
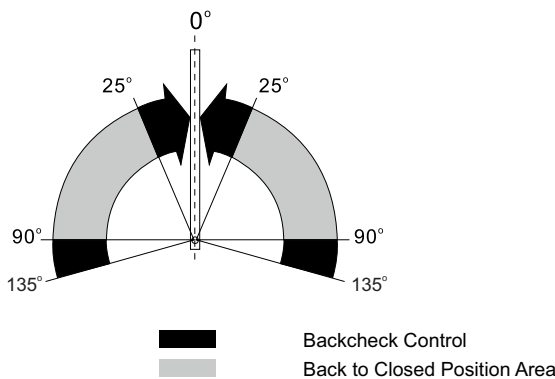
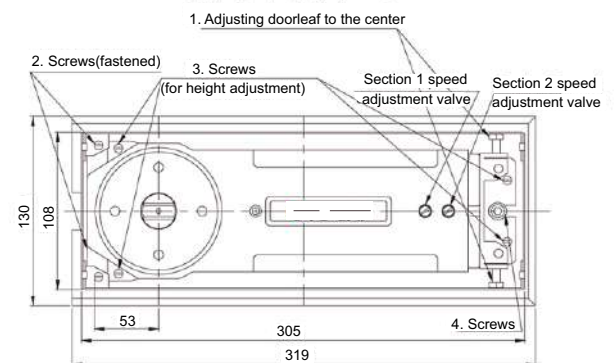
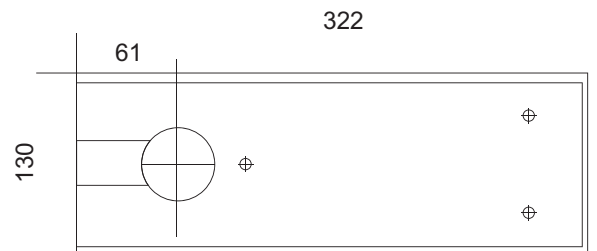


SPECIFICATIONS

- Maximum Door Weight : 105 Kg
- Maximum Door Width : 1000mm
- Hold Open : 90°
- Tested : 10,00,000 Cycles
- Installation Dimension : L-306, W-109, H-41mm
- Finish : SSS

INSTALLATION DETAILS :

- (A) Draw lines and make floor spring pivot center and door-nip pivot coincide with each other.
- (B) Drill holes on the floor according to the instructions, The size of the holes must tightly match the floor spring.
- (C) Place the floor spring into the holes and position it.
- (D) Raise the door leaf installed with door-nip, and insert the floor spring pivot into the hole for the door leaf.
- (E) Adjust the screws at three directions. Make them vertical and the upper & lower pivot center coincide with each other.
- (F) Adjust the speed of door closing.
- (G) Put the decoration cover on the floor spring.



10
YEAR
GUARANTEE



011F23120

Floor Hinge (EN 2-4)

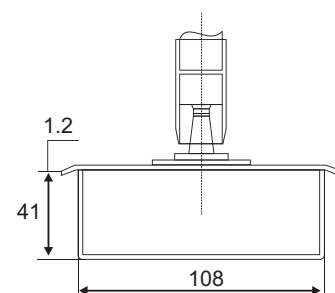
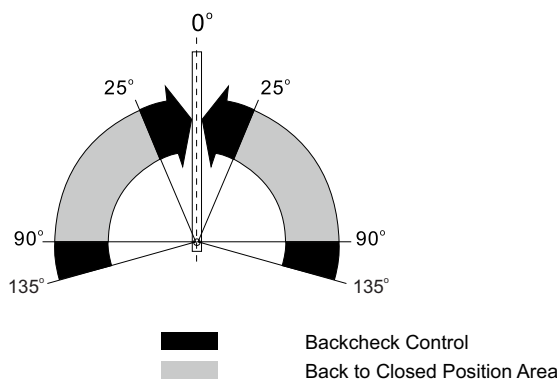
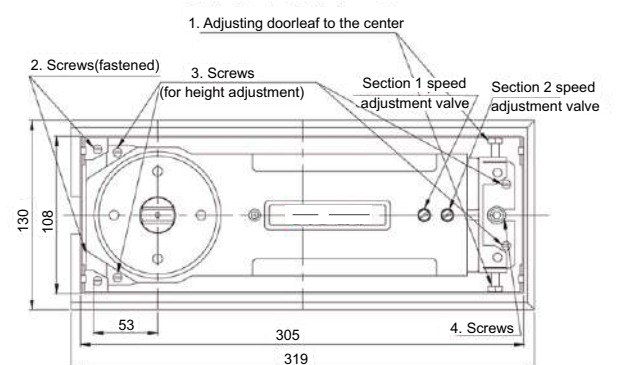
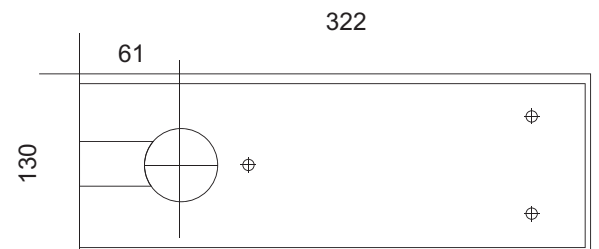
SPECIFICATIONS

- Maximum Door Weight : 120 Kg
- Maximum Door Width : 1100mm
- Hold Open : 90°
- Tested : 10,00,000 Cycles
- Installation Dimension : L-306, W-109, H-41mm
- Finish : SSS



INSTALLATION DETAILS :

- (A) Draw lines and make floor spring pivot center and door-nip pivot coincide with each other.
- (B) Drill holes on the floor according to the instructions, The size of the holes must tightly match the floor spring.
- (C) Place the floor spring into the holes and position it.
- (D) Raise the door leaf installed with door-nip, and insert the floor spring pivot into the hole for the door leaf.
- (E) Adjust the screws at three directions. Make them vertical and the upper & lower pivot center coincide with each other.
- (F) Adjust the speed of door closing.
- (G) Put the decoration cover on the floor spring.



011F Series Floor Hinges

10
YEAR
GUARANTEE



011F23150

Floor Hinge (EN 3-5)

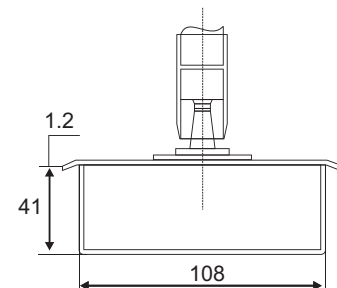
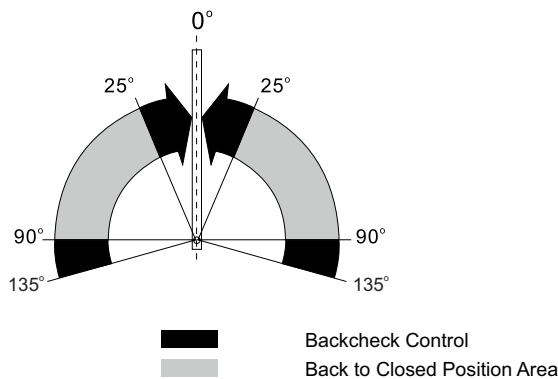
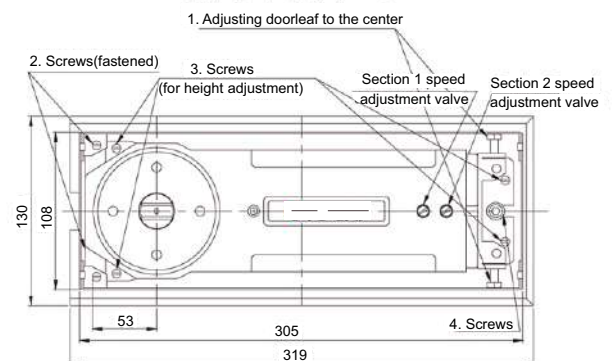
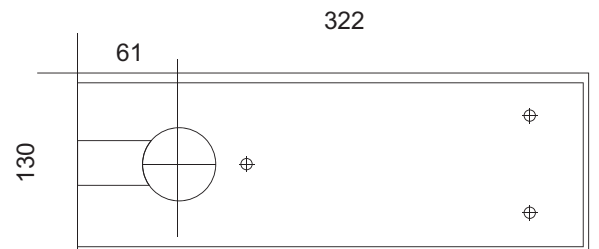
SPECIFICATIONS

- Maximum Door Weight : 150 Kg
- Maximum Door Width : 1200mm
- Hold Open : 90°
- Tested : 10,00,000 Cycles
- Installation Dimension : L-306, W-109, H-41mm
- Finish : SSS



INSTALLATION DETAILS :

- (A) Draw lines and make floor spring pivot center and door-nip pivot coincide with each other.
- (B) Drill holes on the floor according to the instructions, The size of the holes must tightly match the floor spring.
- (C) Place the floor spring into the holes and position it.
- (D) Raise the door leaf installed with door-nip, and insert the floor spring pivot into the hole for the door leaf.
- (E) Adjust the screws at three directions. Make them vertical and the upper & lower pivot center coincide with each other.
- (F) Adjust the speed of door closing.
- (G) Put the decoration cover on the floor spring.





011F03250 Floor Hinge (EN 3-6)

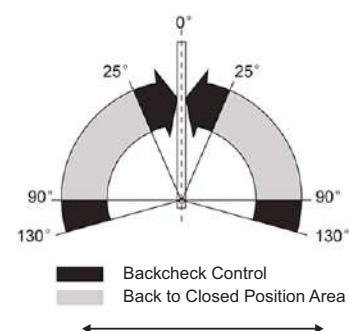
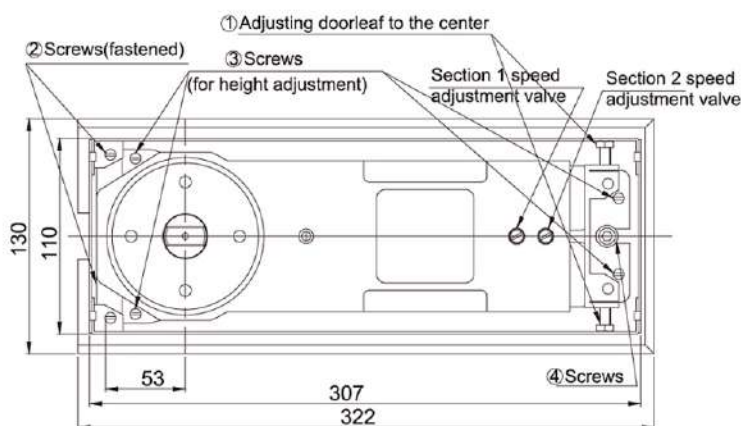
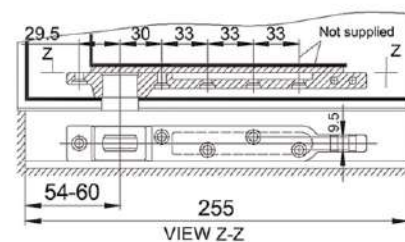
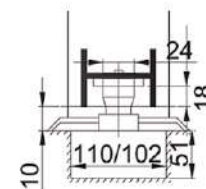
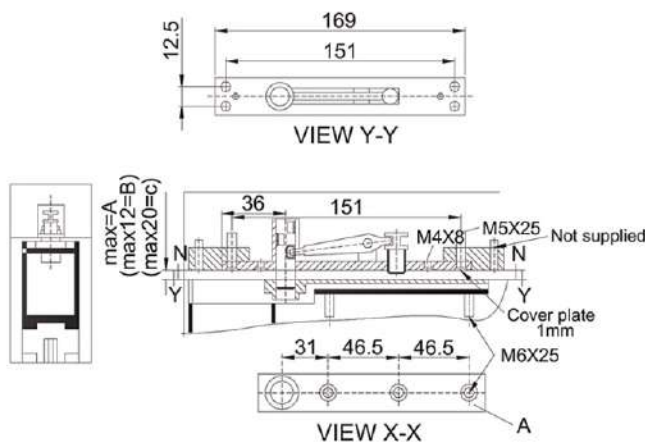
SPECIFICATIONS

- Maximum Door Weight : 250 Kg
- Maximum Door Width : 1350mm
- Hold Open : 90°
- Tested : 5,00,000 Cycles
- Installation Dimension : L-307, W-110, H-41mm

INSTALLATION DETAILS :

- Finish : SSS

- (A) Draw lines and make floor spring pivot center and door-nip pivot coincide with each other.
- (B) Drill holes on the floor according to the instructions, The size of the holes must tightly match the floor spring.
- (C) Place the floor spring into the holes and position it.
- (D) Raise the door leaf installed with door-nip, and insert the floor spring pivot into the hole for the door leaf.
- (E) Adjust the screws at three directions. Make them vertical and the upper & lower pivot center coincide with each other.
- (F) Adjust the speed of door closing.
- (G) Put the decoration cover on the floor spring.



011F Series Floor Hinges



011F03350 Floor Hinge (EN 3-6)

SPECIFICATIONS

- Maximum Door Weight : 350 Kg
- Maximum Door Width : 1500mm
- Hold Open : 90°
- Tested : 5,00,000 Cycles
- Installation Dimension : L-326, W-138, H-41mm

INSTALLATION DETAILS:

- Finish : SSS

- Draw lines and make floor spring pivot center and door-nip pivot coincide with each other.
- Drill holes on the floor according to the instructions, The size of the holes must tightly match the floor spring.
- Place the floor spring into the holes and position it.
- Raise the door leaf installed with door-nip, and insert the floor spring pivot into the hole for the door leaf.
- Adjust the screws at three directions. Make them vertical and the upper & lower pivot center coincide with each other.
- Adjust the speed of door closing.
- Put the decoration cover on the floor spring.

