



---

## Glass Patch Fitting Series

---



- Fluid patch fitting series is suitable for all types of commercial & residential areas in variant sizes.



Silent



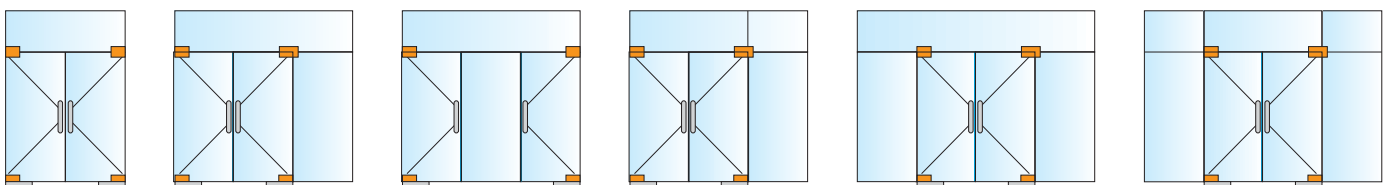
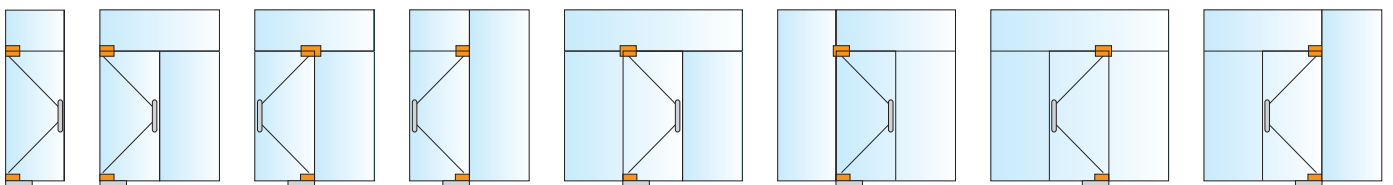
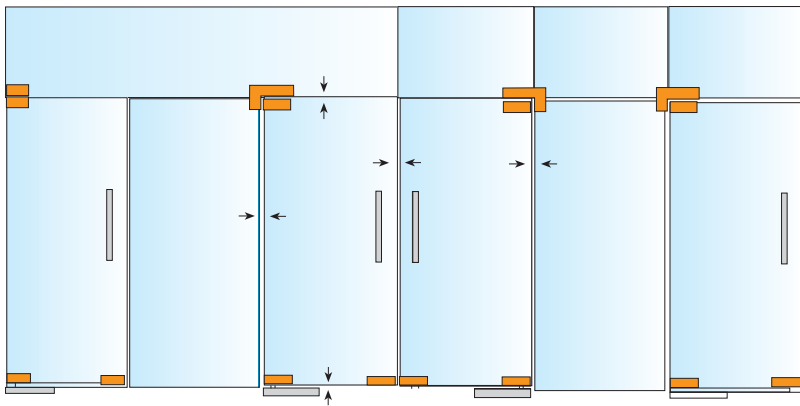
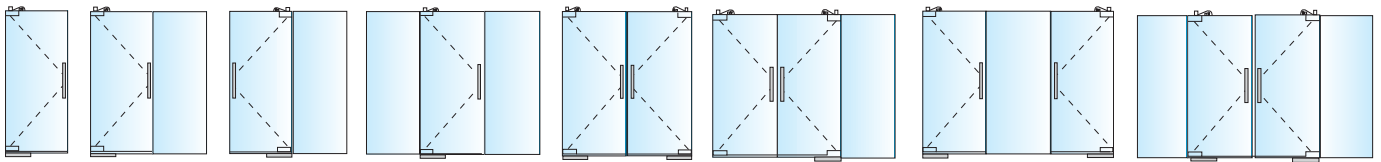
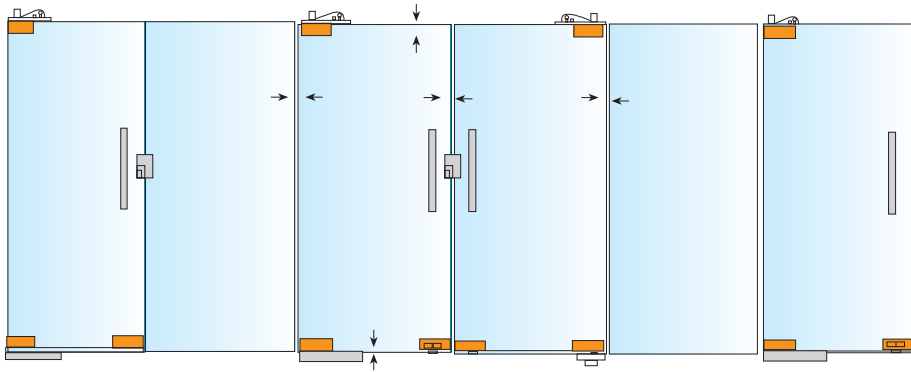
Smartness



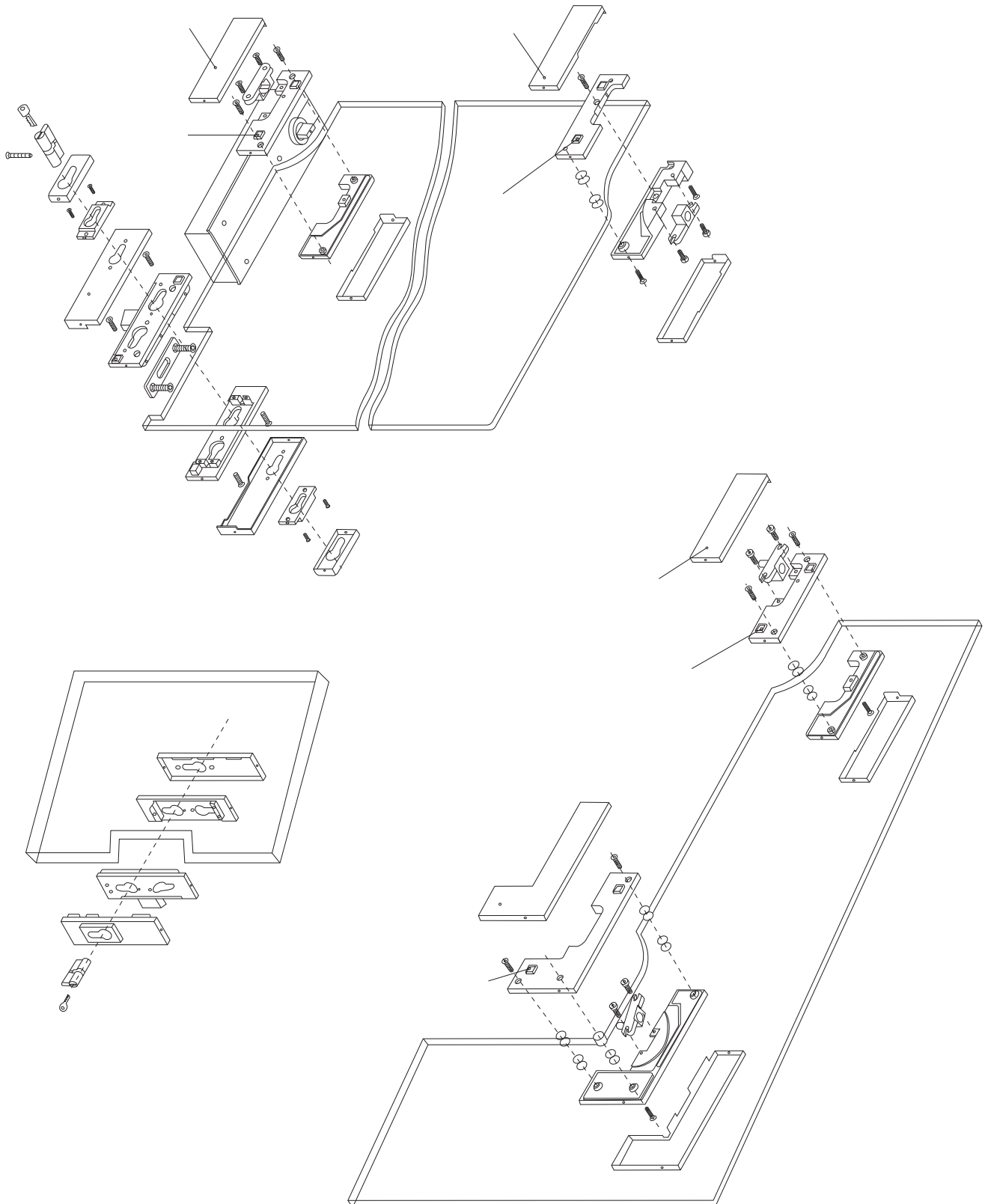
Long-Lasting

# 012F Series Glass Patch Fitting

## SQUARE PATCH FITTING MODELS



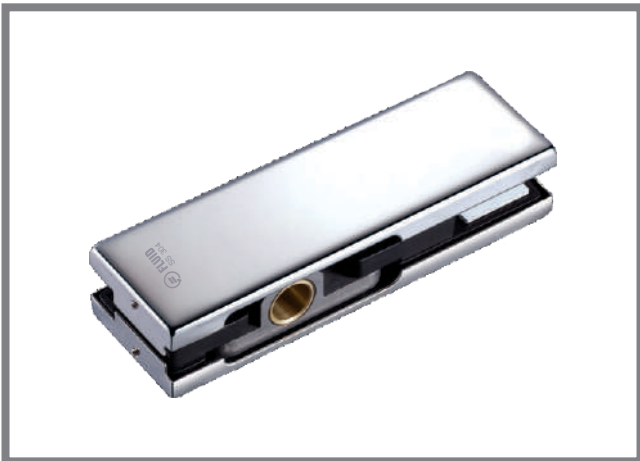
## INSTRUCTIONS



# 012F Series Glass Patch Fitting



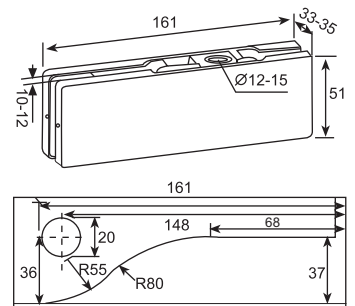
## PATCH FITTING SERIES



### 012F31501 Top Patch

#### SPECIFICATIONS

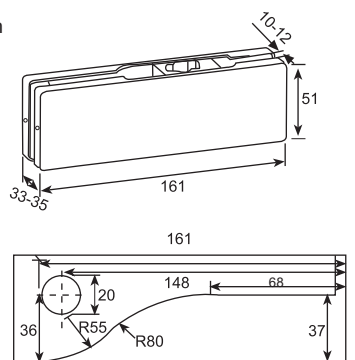
- Fit for Glass Thickness : 10mm / 12mm
- Material : SS 304 Cover Plate
- Quick & Easy Installation
- Finish : SSS



### 012F31502 Bottom Patch

#### SPECIFICATIONS

- Fit for Glass Thickness : 10mm / 12mm
- Material : SS 304 Cover Plate
- Quick & Easy Installation
- Finish : SSS

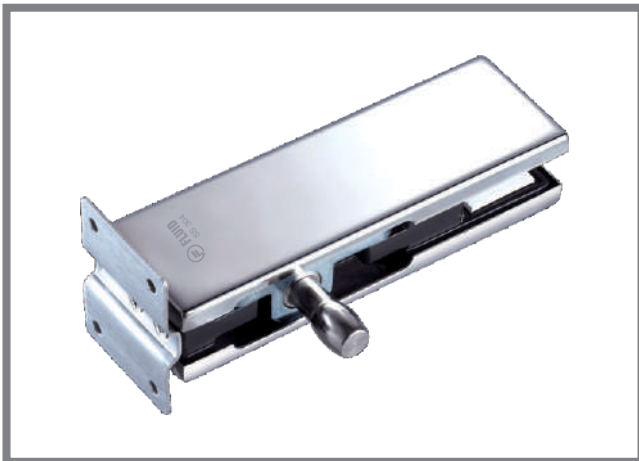
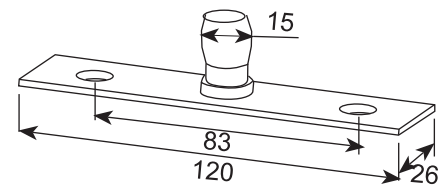




### 012F31503 Top Pivot

#### SPECIFICATIONS

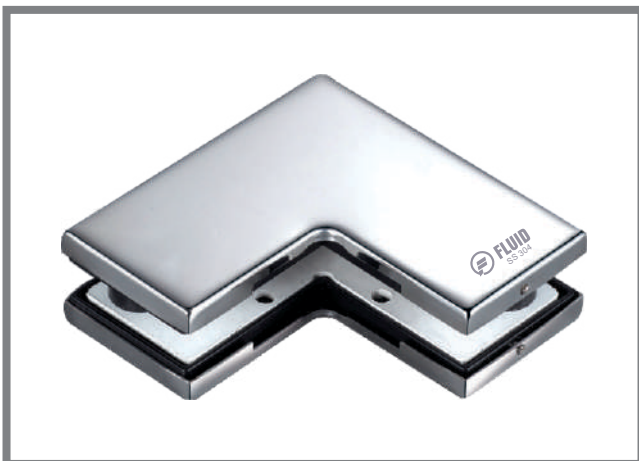
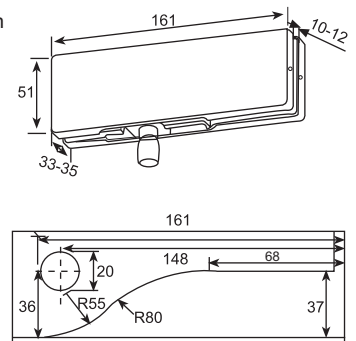
- Top pivot for patch
- Material : SS 304
- Quick & Easy Installation
- Finish : SSS



### 012F31504 Over Panel Pivot Patch with Plate

#### SPECIFICATIONS

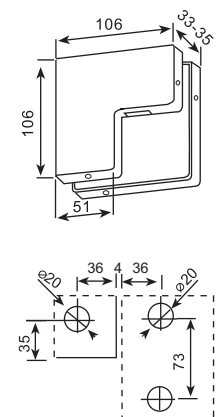
- Over panel patch for side wall with pivot
- Fit for Glass Thickness : 10mm / 12mm
- Material : SS 304 Cover Plate
- Quick & Easy Installation
- Finish : SSS



### 012F31505 Corner Patch

#### SPECIFICATIONS

- Over Panel Side Panel Connector
- Fit for Glass Thickness : 10mm / 12mm
- Material : SS 304 Cover Plate
- Quick & Easy Installation
- Finish : SSS





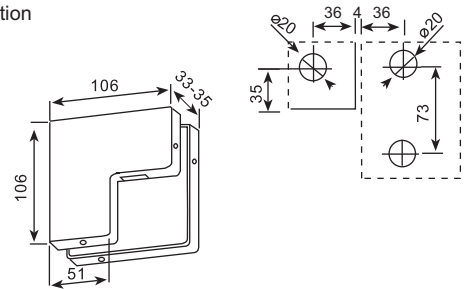
# 012F Series Glass Patch Fitting



## 012F31506 Corner Patch

### SPECIFICATIONS

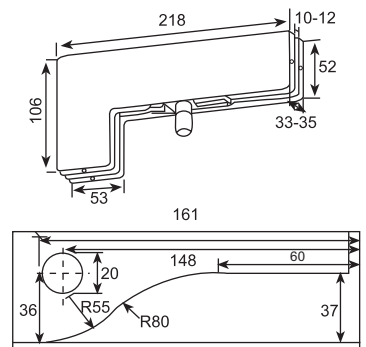
- Over Panel Side Panel Connector for Making Door Single Action
- Fit for Glass Thickness : 10mm / 12mm
- Material : SS 304 Cover Plate
- Quick & Easy Installation
- Finish : SSS



## 012F31507 Corner Panel Corner "L" Patch

### SPECIFICATIONS

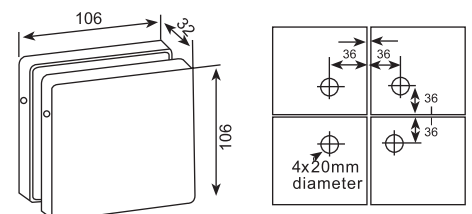
- Fit for Glass Thickness : 10mm / 12mm
- Material : SS 304 Cover Plate
- Quick & Easy Installation
- Finish : SSS

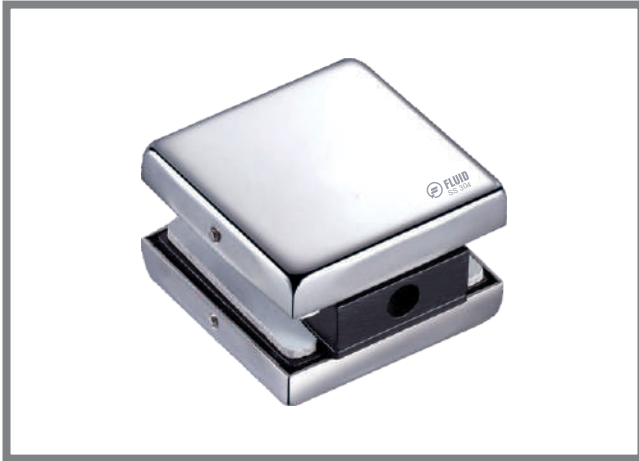


## 012F31508 Connector For 4 Glass Panels

### SPECIFICATIONS

- For integrating a Max 4 Numbers of Fixed Glasses
- Fit for Glass Thickness : 10mm / 12mm
- Material : SS 304 Cover Plate
- Quick & Easy Installation
- Finish : SSS

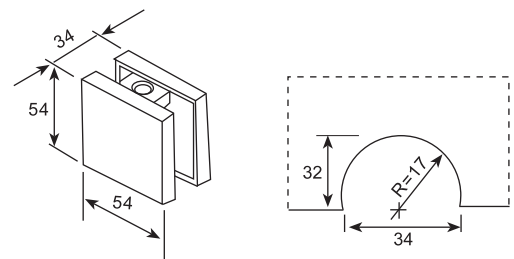




**012F31509 Connector for 2 Glass Panel with Screw**

**SPECIFICATIONS**

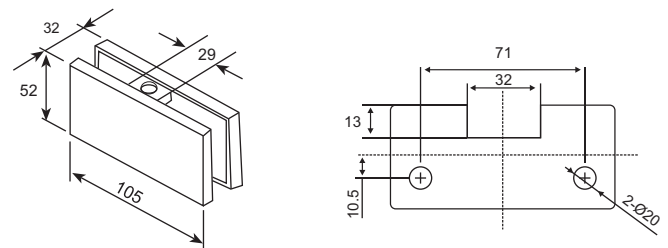
- Glass clamping connector for ceiling, floor or wall
- Fit for Glass Thickness : 10mm / 12mm
- Material : SS 304 Cover Plate
- Quick & Easy Installation
- Finish : SSS



**012F31510 Connector for 2 Glass Panel with Screw**

**SPECIFICATIONS**

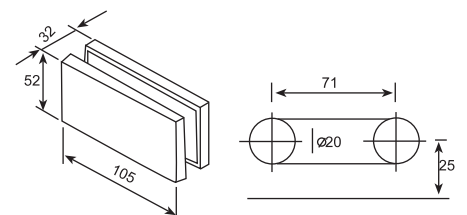
- Glass connecting patch to fix structure for ceiling, floor or wall
- Fit for Glass Thickness : 10mm / 12mm
- Material : SS 304 Cover Plate
- Quick & Easy Installation
- Finish : SSS



**012F31511 Connector for 2 glass**

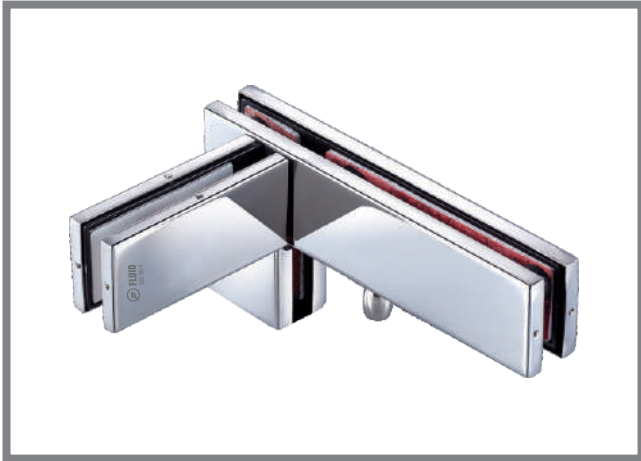
**SPECIFICATIONS**

- To integrate glasses in the centre
- Fit for Glass Thickness : 10mm / 12mm
- Material : SS 304 Cover Plate
- Quick & Easy Installation
- Finish : SSS





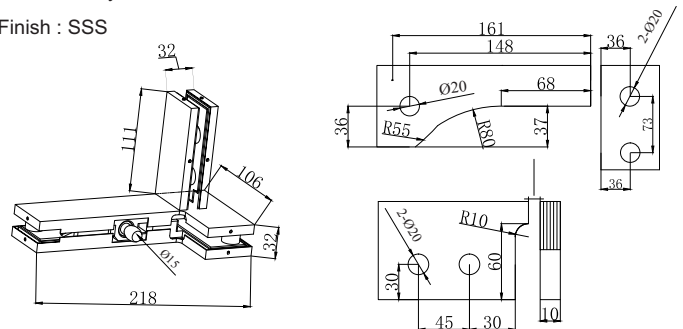
# 012F Series Glass Patch Fitting



## 012F31512 Over Panel "L" Patch with Fin

### SPECIFICATIONS

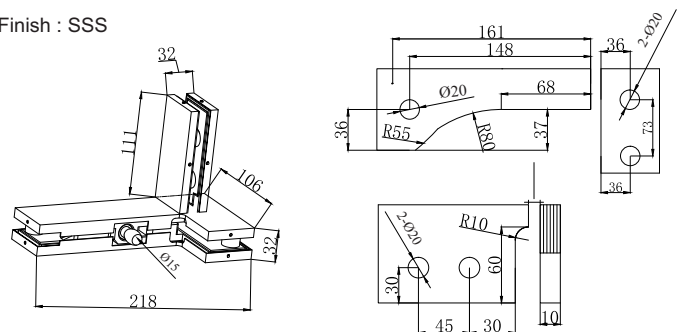
- Over panel side panel connector with fin fitting left
- Fit for Glass Thickness : 10mm / 12mm
- Material : SS 304 Cover Plate
- Quick & Easy Installation
- Finish : SSS



## 012F31513 Over Panel "R" Patch with Fin

### SPECIFICATIONS

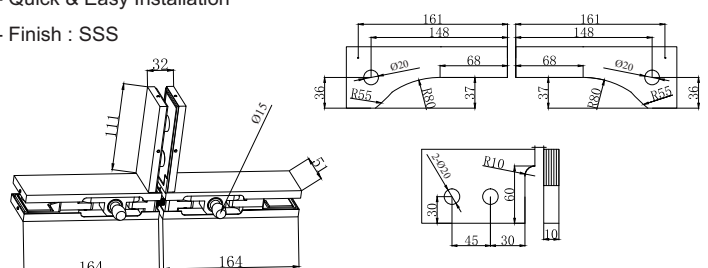
- Over panel side panel connector with fin fitting right
- Fit for Glass Thickness : 10mm / 12mm
- Material : SS 304 Cover Plate
- Quick & Easy Installation
- Finish : SSS



## 012F31514 Double Patch with fin "T"

### SPECIFICATIONS

- Over panel connector for back to back doors
- Fit for Glass Thickness : 10mm / 12mm
- Material : SS 304 Cover Plate
- Quick & Easy Installation
- Finish : SSS

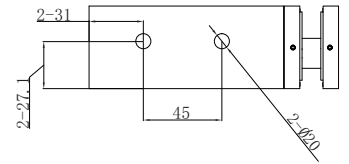
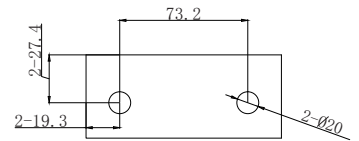
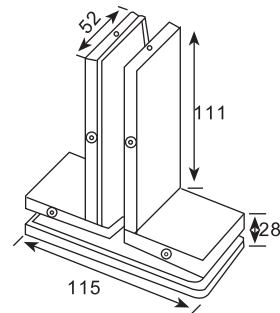




### 012F31515 Over Panel Connector with Fin

#### SPECIFICATIONS

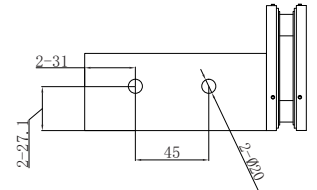
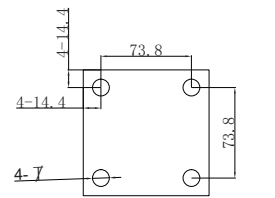
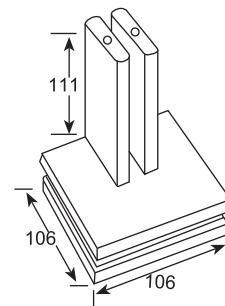
- Double panel glass connector with fin fitting inside
- Fit for Glass Thickness : 10mm / 12mm
- Material : SS 304 Cover Plate
- Quick & Easy Installation
- Finish : SSS



### 012F31516 Connector for 4 Glass Panels with Fin

#### SPECIFICATIONS

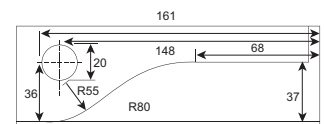
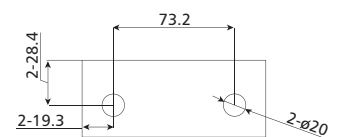
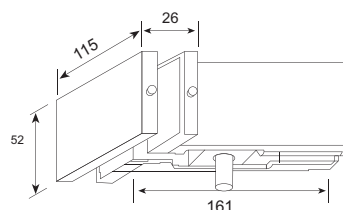
- Integrated 4 glasses and connecting with fin
- Fit for Glass Thickness : 10mm / 12mm
- Material : SS 304 Cover Plate
- Quick & Easy Installation
- Finish : SSS



### 012F31517 Double Patch with Fin "T"

#### SPECIFICATIONS

- Fit to Glass Thickness 10/12mm
- Material : SS 304 Cover Plate
- Quick & Easy Installation
- Finish : SSS



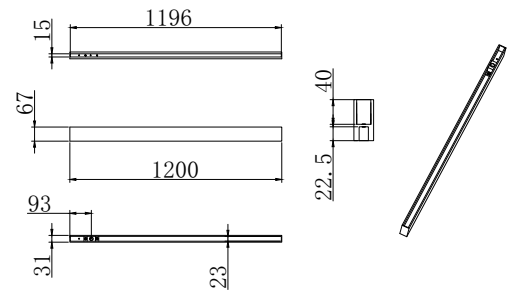
# 012F Series Glass Patch Fitting



## 012F31518-A Top Door Rail

### SPECIFICATIONS

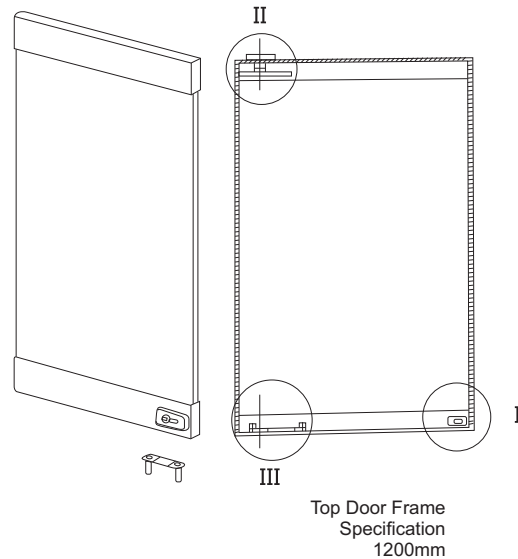
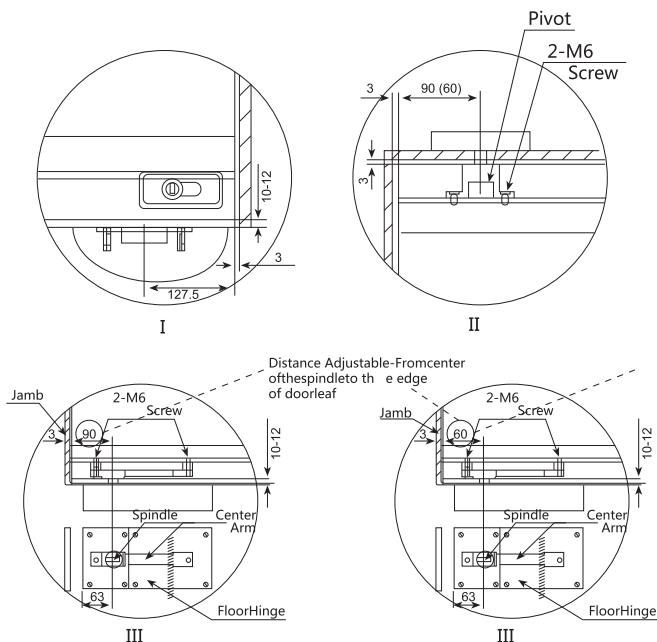
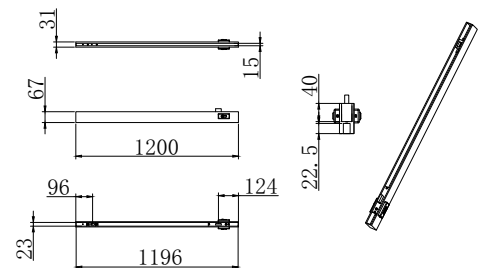
- To Install on top of the door
- Fit for Glass Thickness : 10mm / 12mm
- Material : SS 304 Cover Plate
- Quick & Easy Installation
- Finish : SSS



## 012F31518-B Bottom Door Rail

### SPECIFICATIONS

- To install on bottom of the door
- Fit for Glass Thickness : 10mm / 12mm
- Material : SS 304 Cover Plate
- Quick & Easy Installation
- Finish : SSS



Bottom Door Frame  
With & Without Lock  
Specification  
1200mm

