



Glass Lock Series



- Fluid Lock Series is suitable for all types of commercial & residential areas in variant sizes.



 **FLUID**
SS 304



Silent



Smartness



Long-Lasting

013F Series Glass Lock

304 stainless steel glass door lock series products every detail contain infinites surprises, considerate of the feelings, incisively and vividly, new life to your feelings.

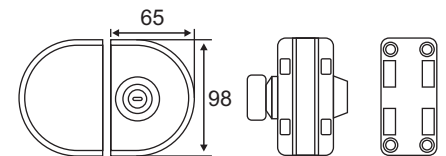
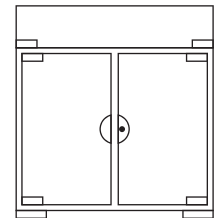




013F31801 Wall to Glass Centre Lock

SPECIFICATION

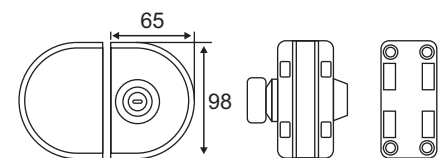
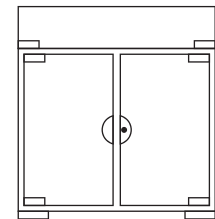
- Wall to Glass Lock
- Quick & Easy Installation
- One Side Knob One Side Key
- Fit for Glass Thickness : 10mm / 12mm
- Material : SS 304 Cover Plate
- Finish : SSS



013F31802 Glass to Glass Centre Lock

SPECIFICATION

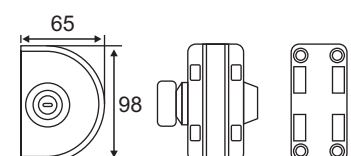
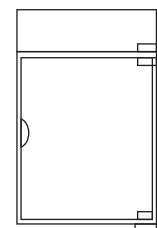
- Glass to Glass Lock
- Quick & Easy Installation
- One Side Knob One Side Key
- Fit for Glass Thickness : 10mm / 12mm
- Material : SS 304 Cover Plate
- Finish : SSS



013F31803 Wall to Glass Centre Lock

SPECIFICATION

- Wall to Glass Lock
- Quick & Easy Installation
- Both Side Key
- Fit for Glass Thickness : 10mm / 12mm
- Material : SS 304 Cover Plate
- Finish : SSS



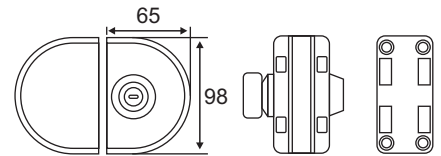
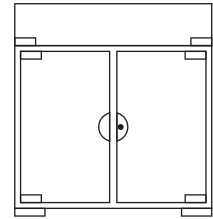
013F Series Glass Lock



013F31804 Glass to Glass Centre Lock

SPECIFICATION

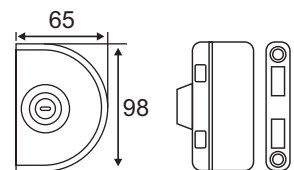
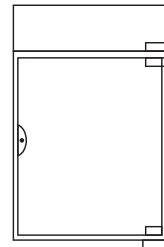
- Glass to Glass Lock
- Quick & Easy Installation
- Both Side Key
- Fit for Glass Thickness : 10mm / 12mm
- Material : SS 304 Cover Plate
- Finish : SSS



013F31805 Wall to Glass Centre Lock

SPECIFICATION

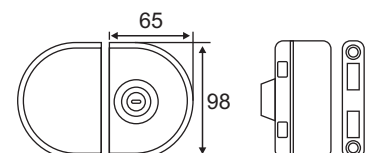
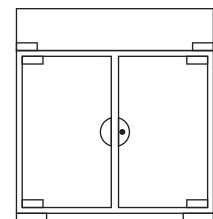
- Wall to Glass Lock
- Quick & Easy Installation
- One Side Key Only
- Fit for Glass Thickness : 10mm / 12mm
- Material : SS 304 Cover Plate
- Finish : SSS



013F31806 Glass to Glass Centre Lock

SPECIFICATION

- Glass To Glass Lock
- Quick & Easy Installation
- One Side Key Only
- Fit for Glass Thickness : 10mm / 12mm
- Material : SS 304 Cover Plate
- Finish : SSS

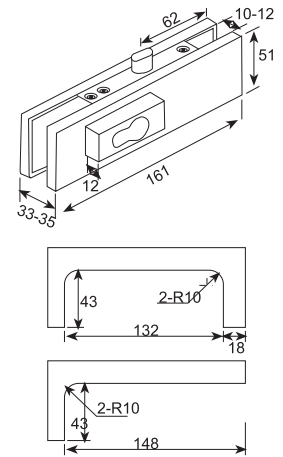




013F31807 Bottom Lock

SPECIFICATION

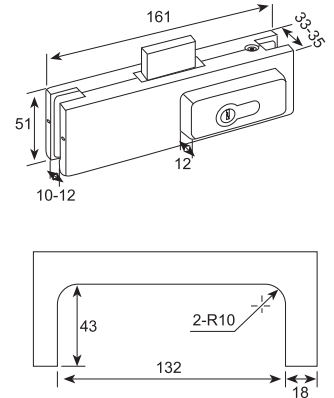
- Fit for Glass Thickness : 10mm / 12mm
- Quick & Easy Installation
- Material : SS 304 Cover Plate
- Finish : SSS



013F31808 Centre Lock

SPECIFICATION

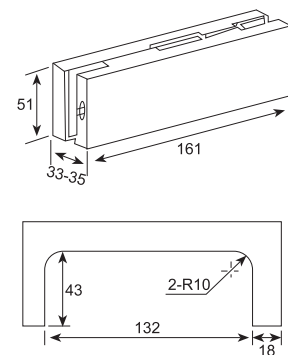
- Fit for Glass Thickness : 10mm / 12mm
- Quick & Easy Installation
- Material : SS 304 Cover Plate
- Finish : SSS



013F31809 Strike Box

SPECIFICATION

- Fit for Glass Thickness : 10mm / 12mm
- Quick & Easy Installation
- Material : SS 304 Cover Plate
- Finish : SSS



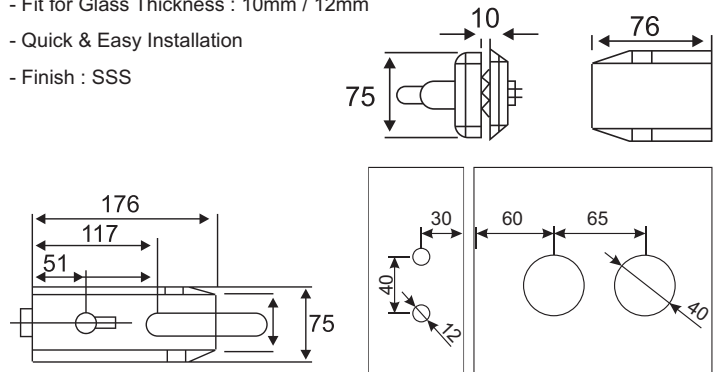
013F Series Glass Lock



013F31810 Glass to Glass Lock

SPECIFICATION

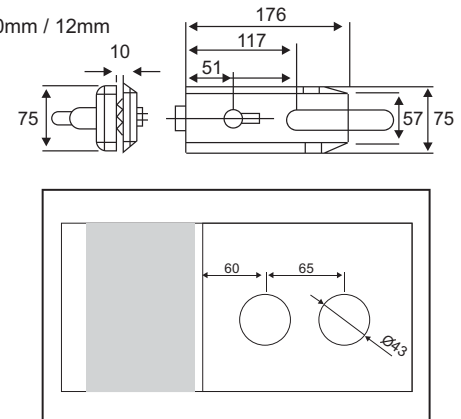
- Glass to Glass Lock
- Fit for Glass Thickness : 10mm / 12mm
- Quick & Easy Installation
- Finish : SSS



013F31811 Wall to Glass Lock

SPECIFICATION

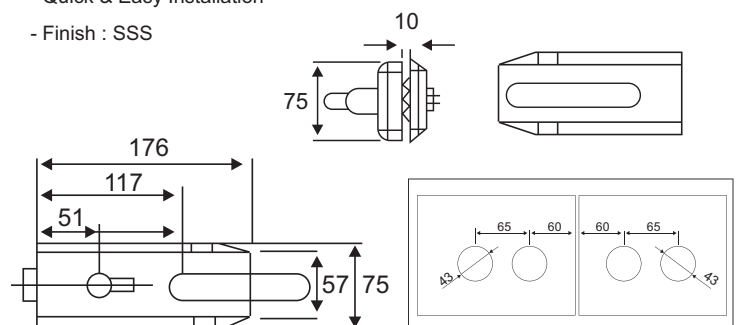
- Wall to Glass Lock
- Fit for Glass Thickness : 10mm / 12mm
- Quick & Easy Installation
- Finish : SSS



013F31812 Glass to Glass Lock

SPECIFICATION

- Glass to Glass Lock
- Fit for Glass Thickness : 10mm / 12mm
- Quick & Easy Installation
- Finish : SSS

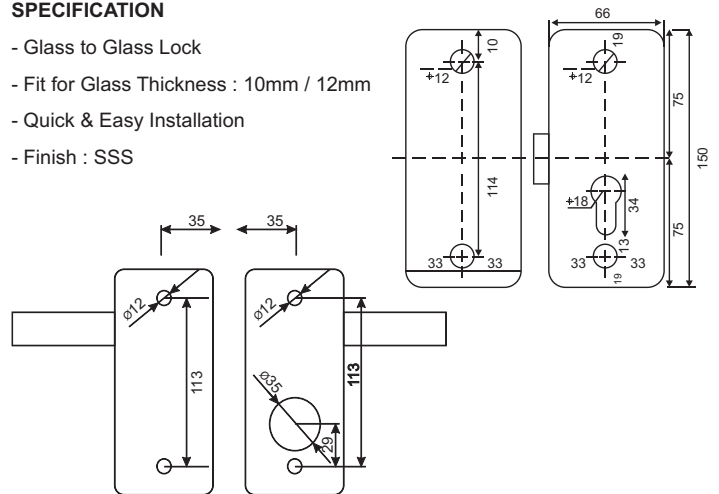




013F31813 Glass to Glass Lock (Left)

SPECIFICATION

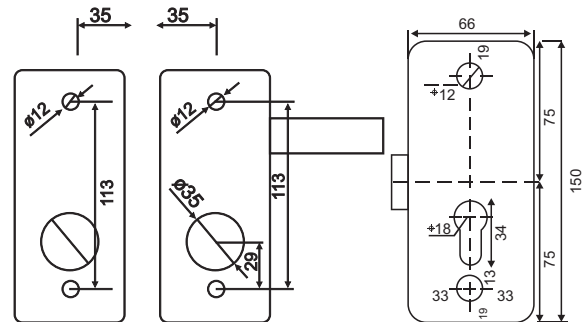
- Glass to Glass Lock
- Fit for Glass Thickness : 10mm / 12mm
- Quick & Easy Installation
- Finish : SSS



013F31814 Glass to Glass Lock (Right)

SPECIFICATION

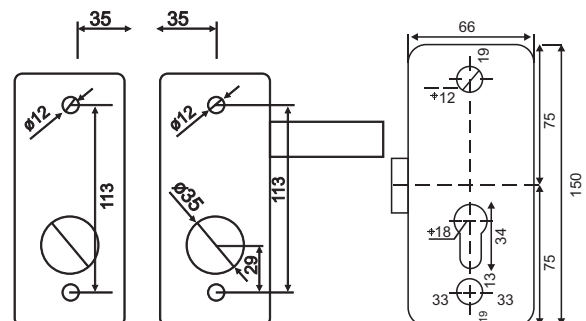
- Glass to Glass Lock
- Fit for Glass Thickness : 10mm / 12mm
- Quick & Easy Installation
- Finish : SSS



013F31815 Glass to Glass Lock (Left)

SPECIFICATION

- Fit for Glass Thickness : 10mm / 12mm
- Material : Aluminum Alloy
- Finish : SSS



013F Series Glass Lock

Zinc alloy glass door lock series products new design, perfect the use of space, highlighting the function, simple and solemn, simple and without losing charm.

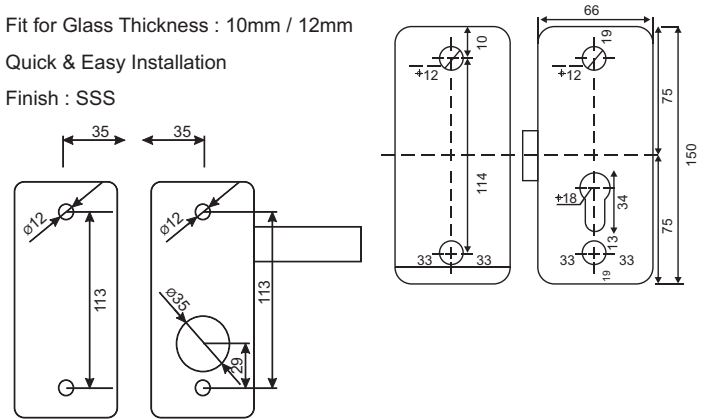




013F31816 Glass to Glass Lock (Right)

SPECIFICATION

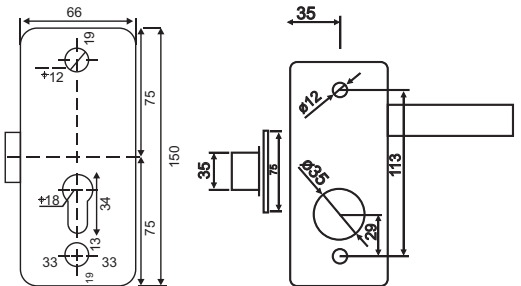
- Glass to Glass Lock
- Fit for Glass Thickness : 10mm / 12mm
- Quick & Easy Installation
- Finish : SSS



013F31817 Wall to Glass Lock (Right)

SPECIFICATION

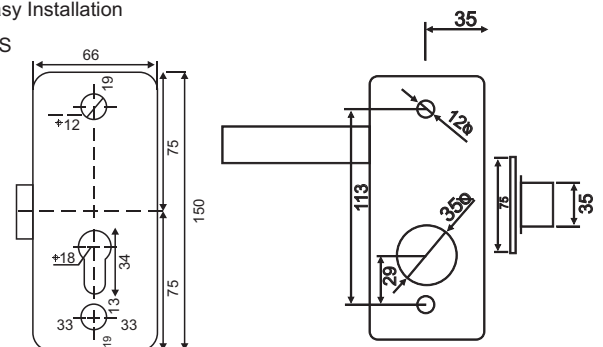
- Wall to Glass Lock
- Fit for Glass Thickness : 10mm / 12mm
- Quick & Easy Installation
- Finish : SSS



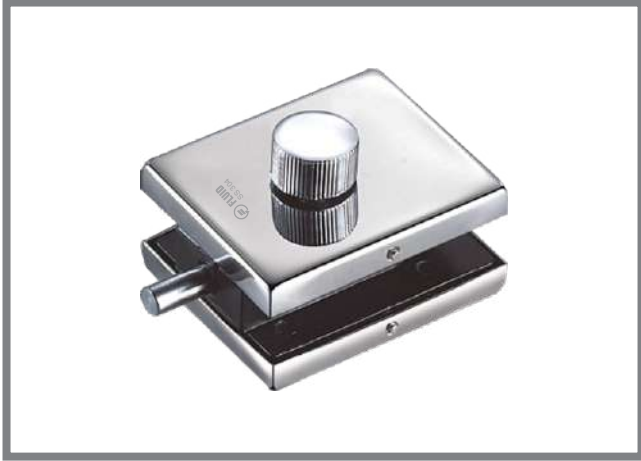
013F31818 Wall to Glass Lock (Left)

SPECIFICATION

- Wall to Glass Lock
- Fit for Glass Thickness : 10mm / 12mm
- Quick & Easy Installation
- Finish : SSS



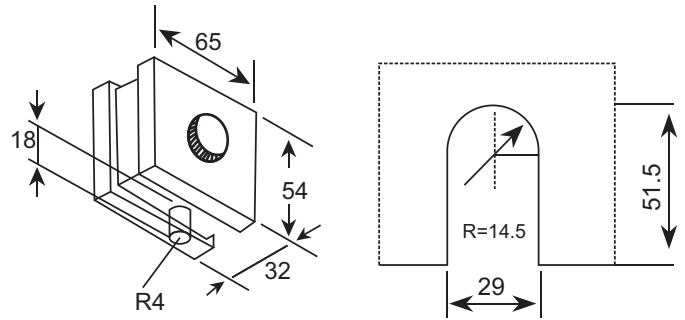
013F Series Glass Lock



013F31819 Turn Knob Lock

SPECIFICATION

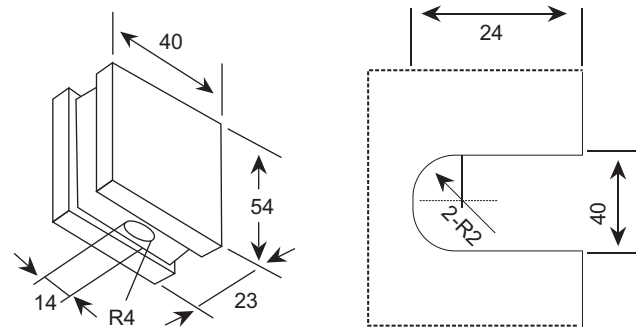
- Fit for Glass Thickness : 10mm / 12mm
- Material : SS 304 Cover Plate
- Finish : SSS



013F31820 Strike Box

SPECIFICATION

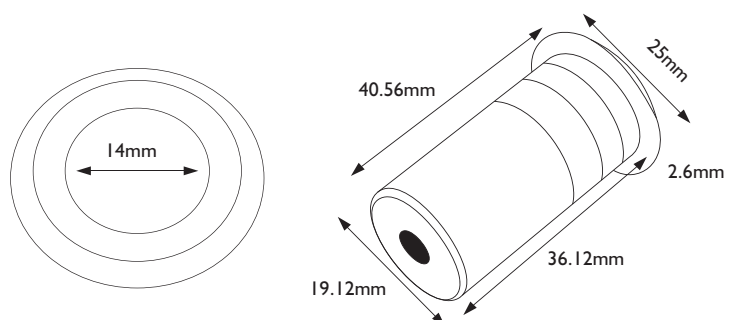
- Fit for Glass Thickness : 10mm / 12mm
- Material : SS 304 Cover Plate
- Finish : SSS



013F31821 Strike Box

SPECIFICATION

- Material : SS 304
- Finish : SSS

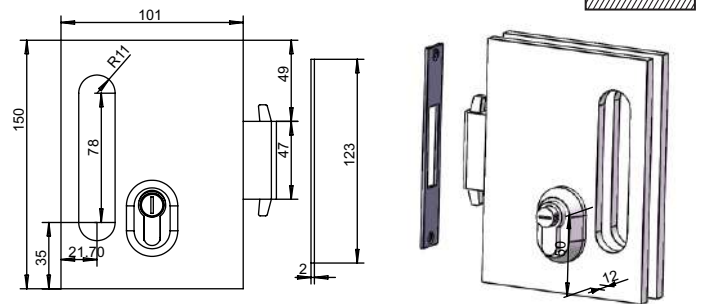




013F31822 Wall to Glass Sliding Lock

SPECIFICATION

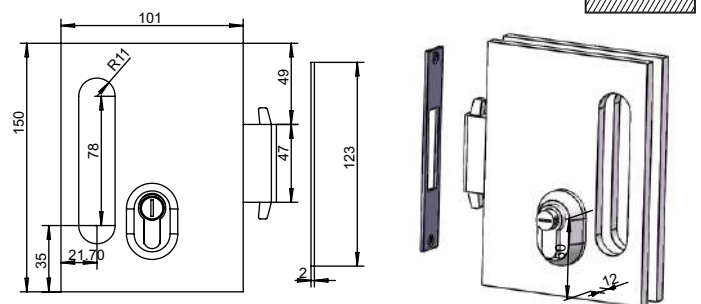
- Wall to Glass Sliding Lock
- Fit for Glass Thickness : 10mm / 12mm
- Material : SS 304 Cover Plate
- Finish : SSS



013F31823 Glass to Glass Sliding Lock

SPECIFICATION

- Glass to Glass Sliding Lock
- Fit for Glass Thickness : 10mm / 12mm
- Material : SS 304 Cover Plate
- Finish : SSS



013F Series Glass Lock



013F31824 Sliding Lock

SPECIFICATION

- Glass to Glass Sliding Lock
- Fit for Glass Thickness : 10mm / 12mm
- Material : SS 304
- Finish : SSS

