

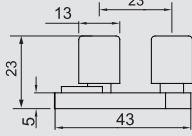
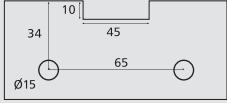
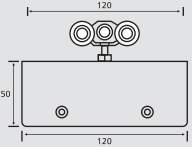






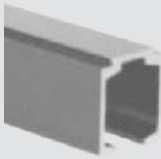
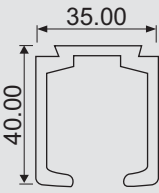
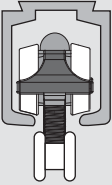
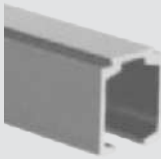
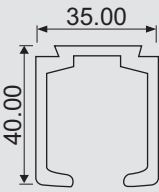
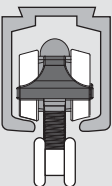
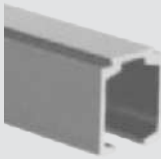
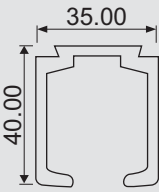
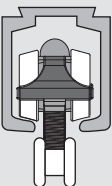
06F Series Glass Sliding

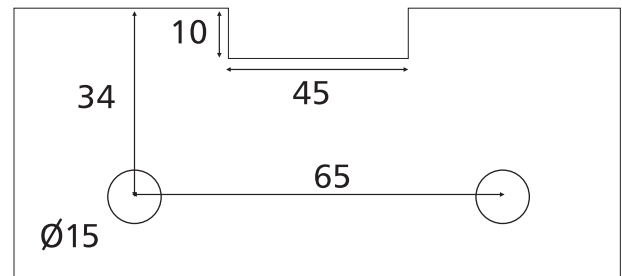
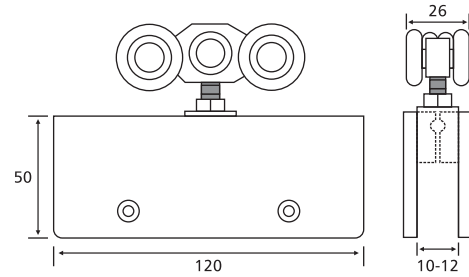
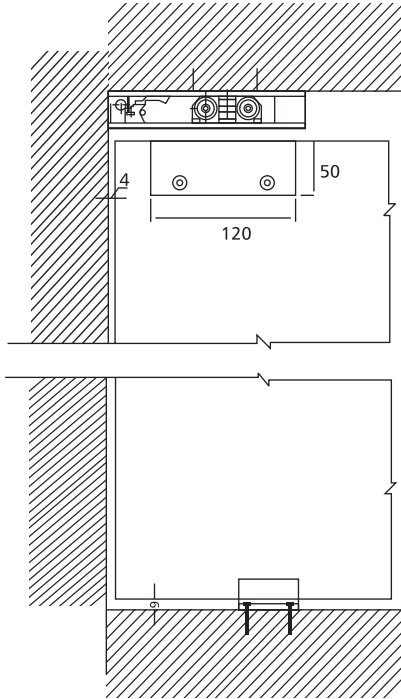
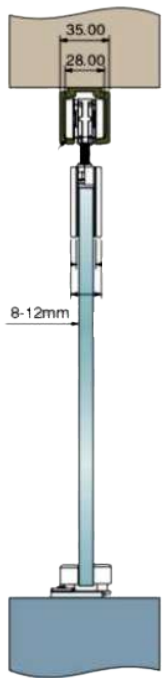
FLUID CARRIER 59 FOR HEAVY HANGING ROLLER (1 DOOR KIT)

≤ 80kg

Item Code	Package Fittings			
<p>06F17403 GLASS DOOR (One Door Kit)</p>				
				

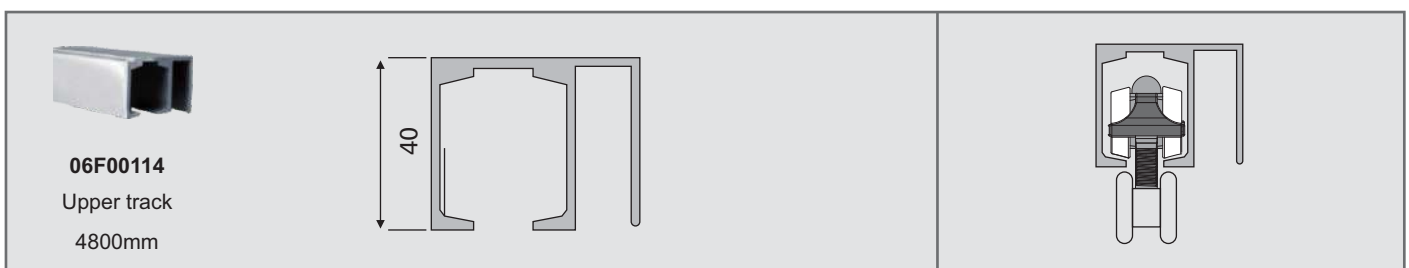
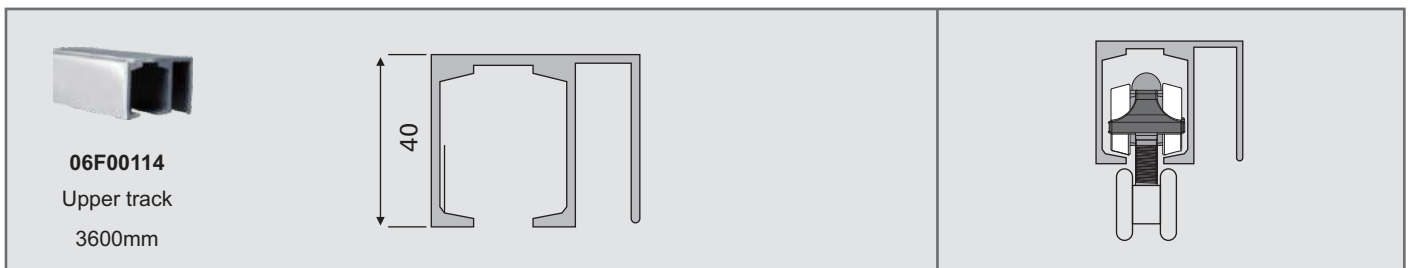
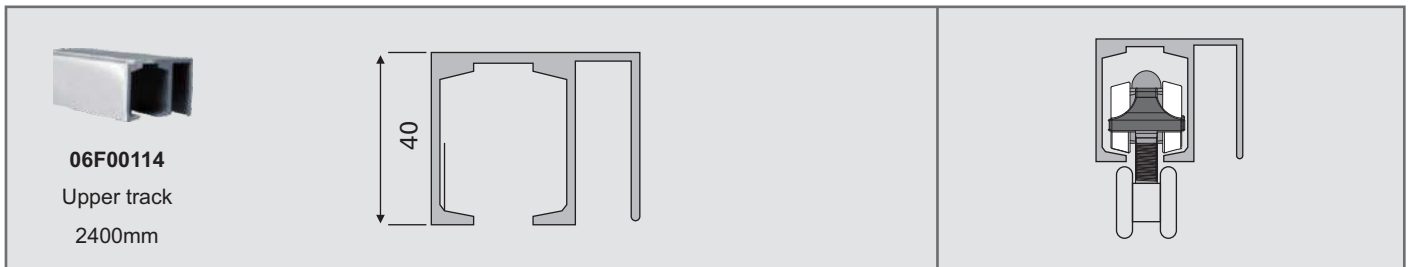
TRACKS (Pcs)

<p>06F00113 Upper track 2400mm</p>			
<p>06F00113 Upper track 3600mm</p>			
<p>06F00113 Upper track 4800mm</p>			




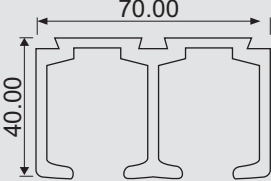
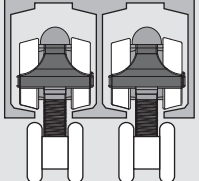

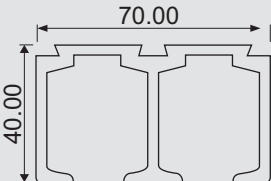
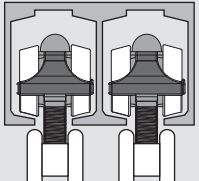

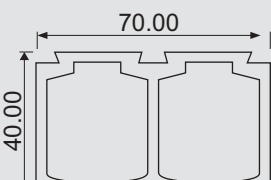
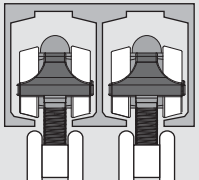
GLASS PREPARATION

TRACKS (Pcs)





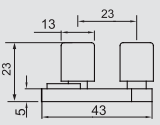
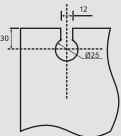
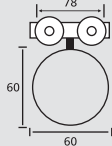


06F Series Glass Sliding

TRACKS (Pcs)

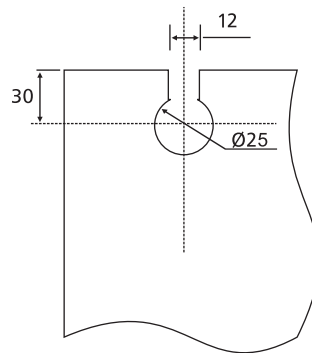
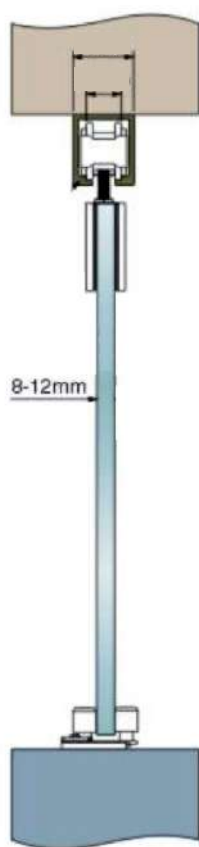
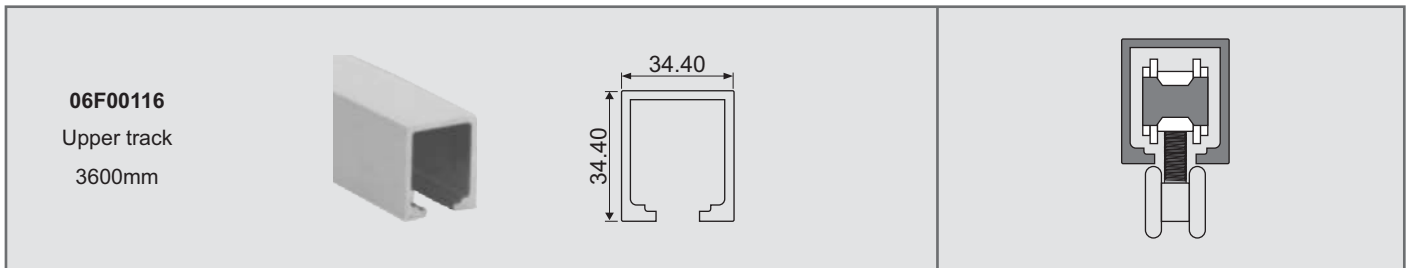
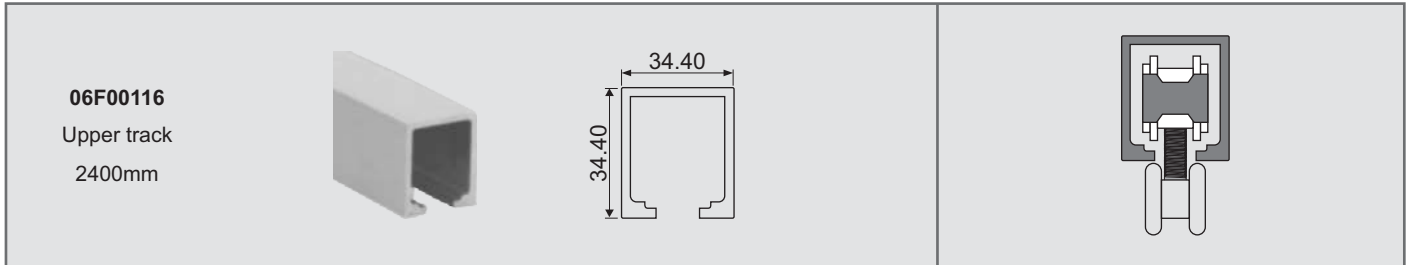
<p>06F00115 Upper track 2400mm</p>			
<p>06F00115 Upper track 3600mm</p>			
<p>06F00115 Upper track 4800mm</p>			

FLUID CARRIER 71 FOR HEAVY HANGING ROLLER (1 DOOR KIT)

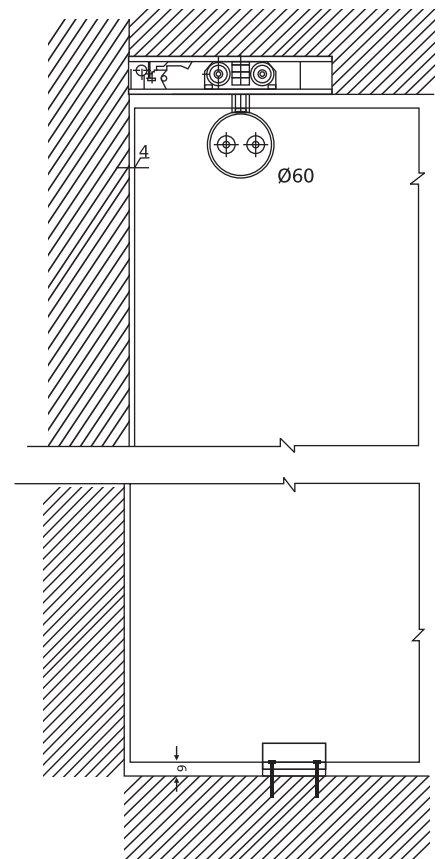
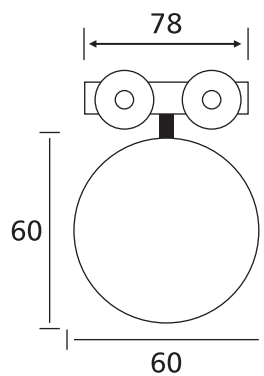
< 80kg

Item Code	Package Fittings			
<p>06F17404 GLASS DOOR (One Door Kit)</p>	 <p>x2</p>	 <p>x1</p>		 <p>GLASS PREPARATION</p>
				 <p>x2</p>

TRACKS (Pcs)


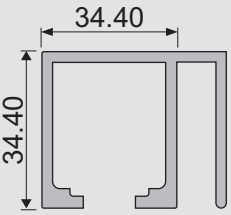
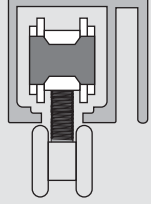



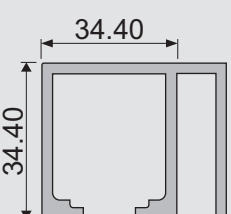
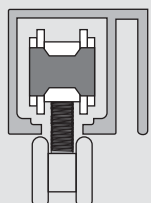
GLASS PREPARATION




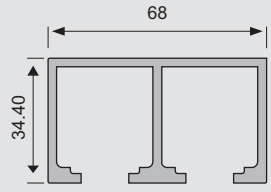
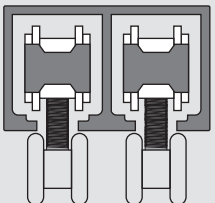
06F Series Glass Sliding


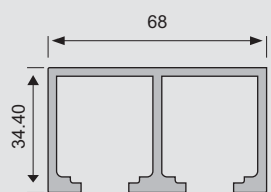
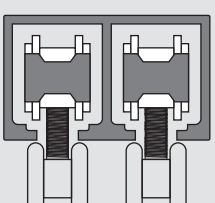
TRACKS (Pcs)

<p>06F00117 Upper track 2400mm</p>			
---	---	---	---

<p>06F00117 Upper track 3600mm</p>			
---	---	---	---

TRACKS (Pcs)

<p>06F00118 Upper track 2400mm</p>			
---	---	---	---



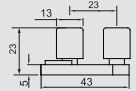
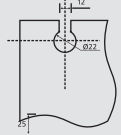
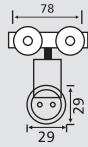


<p>06F00118 Upper track 3600mm</p>			
---	---	---	---




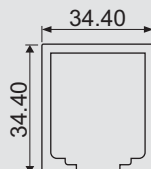
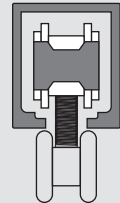

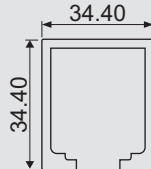
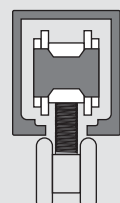
06F Series Glass Sliding

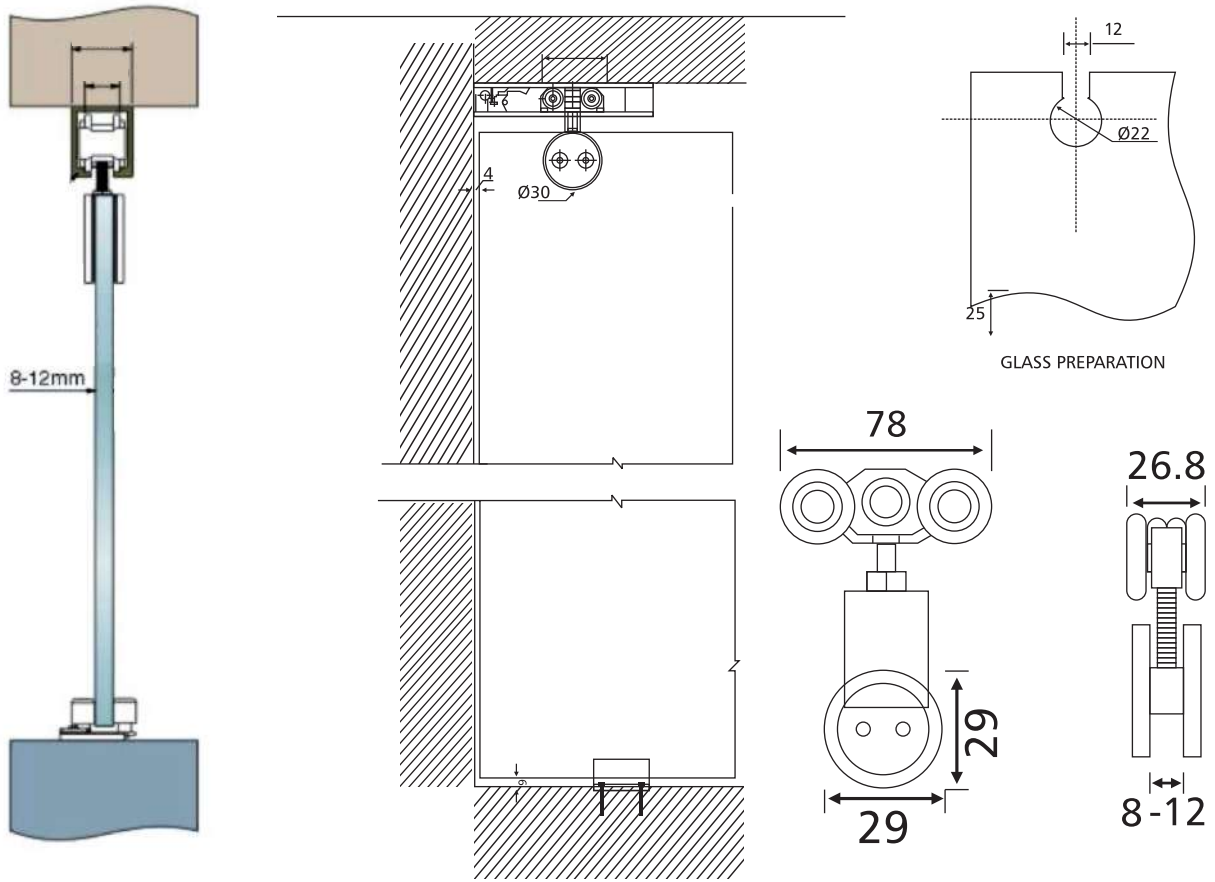
FLUID CARRIER 72 FOR HEAVY HANGING ROLLER (1 DOOR KIT)

≤ 80kg


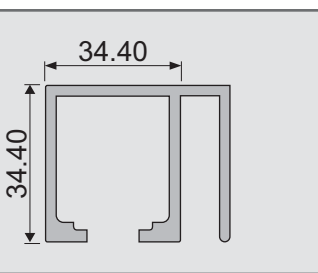
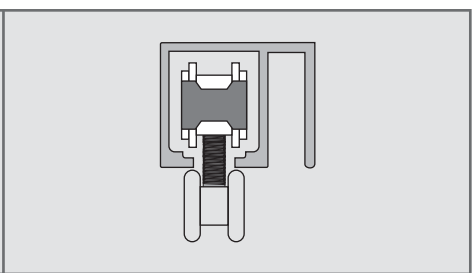

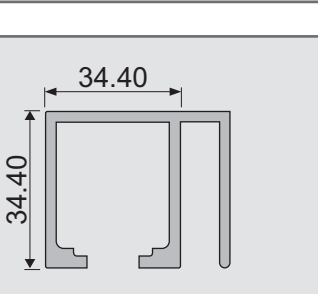
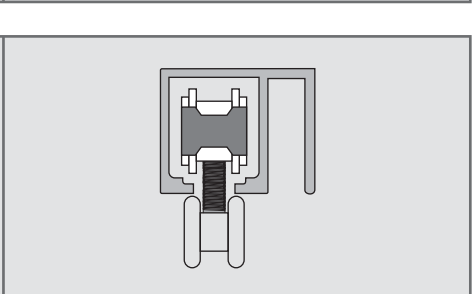
Item Code	Package Fittings			
06F17405 GLASS DOOR (One Door Kit)	 x2	 x1		 GLASS PREPARATION
			 x2	

TRACKS (Pcs)

06F00116 Upper track 2400mm	 	
06F00116 Upper track 3600mm	 	

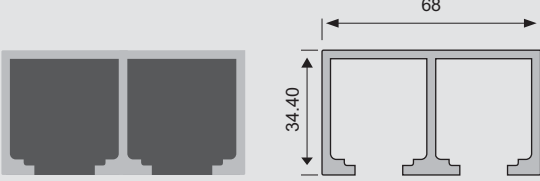
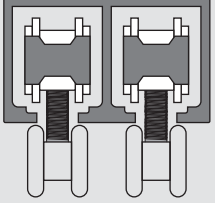
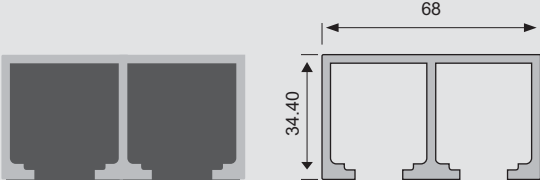
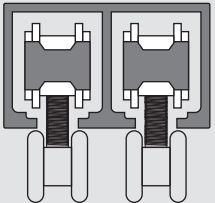


TRACKS (Pcs)

<p>06F00117 Upper track 2400mm</p>			
<p>06F00117 Upper track 3600mm</p>			


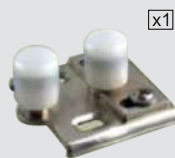
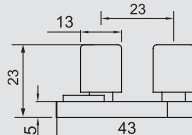
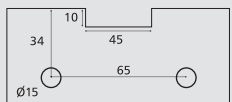
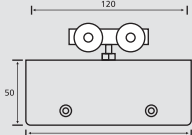


06F Series Glass Sliding

TRACKS (Pcs)

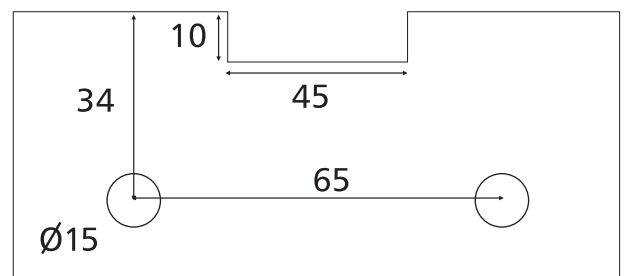
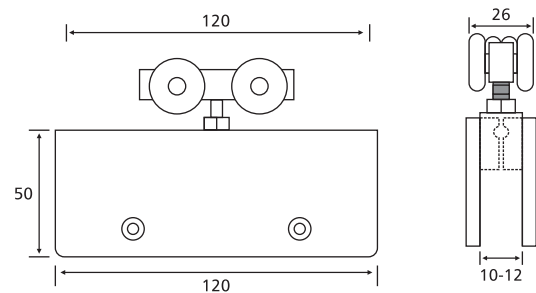
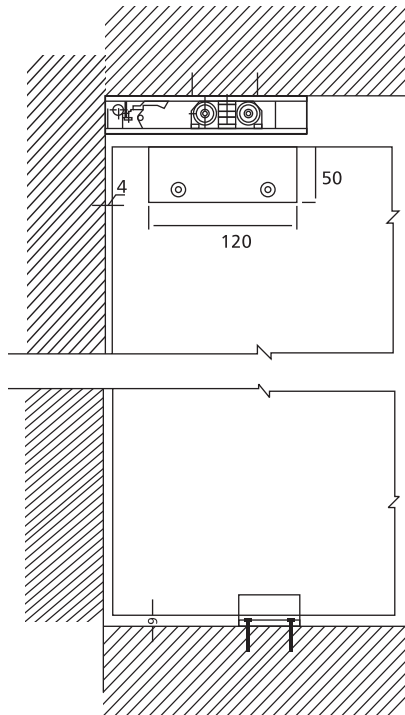
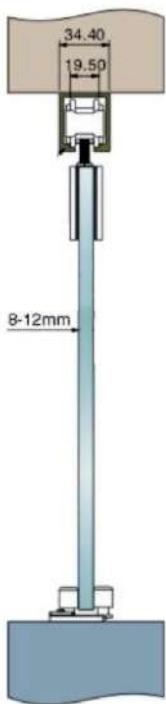
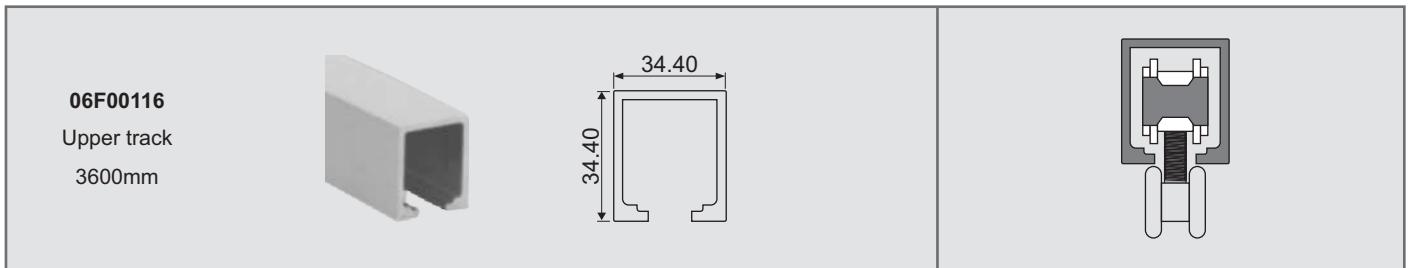
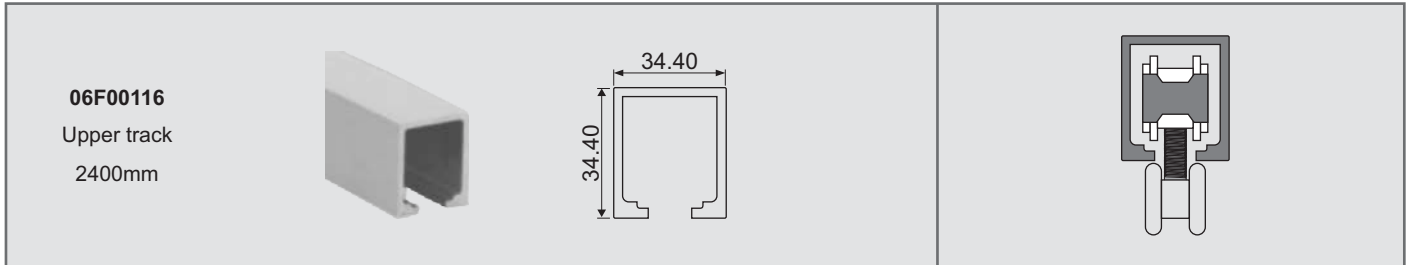
<p>06F00118 Upper track 2400mm</p>		
<p>06F00118 Upper track 3600mm</p>		

FLUID CARRIER 73 FOR HEAVY HANGING ROLLER (1 DOOR KIT)

≤ 80kg


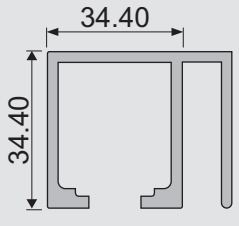
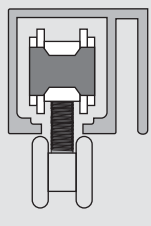
Item Code	Package Fittings			
<p>06F17406 GLASS DOOR (One Door Kit)</p>				
				


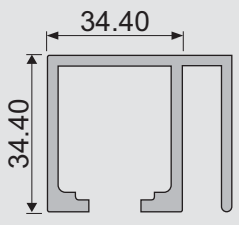
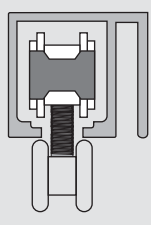
TRACKS (Pcs)




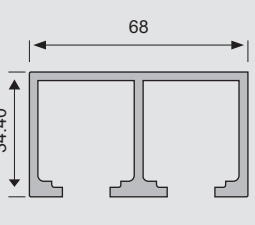
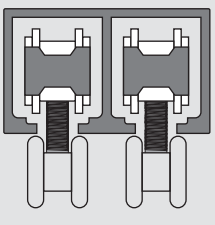
06F Series Glass Sliding


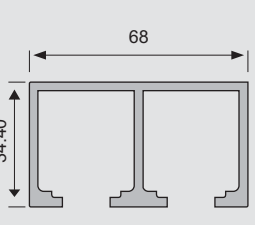
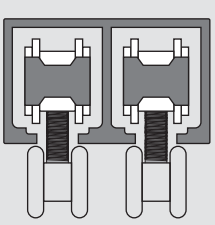
TRACKS (Pcs)

<p>06F00117 Upper track 2400mm</p>			
---	---	---	---

<p>06F00117 Upper track 3600mm</p>			
---	---	---	---

TRACKS (Pcs)

<p>06F00118 Upper track 2400mm</p>			
---	---	---	---

<p>06F00118 Upper track 3600mm</p>			
---	---	---	---



06F Series Glass Sliding

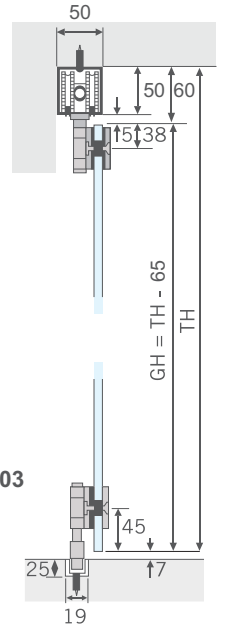
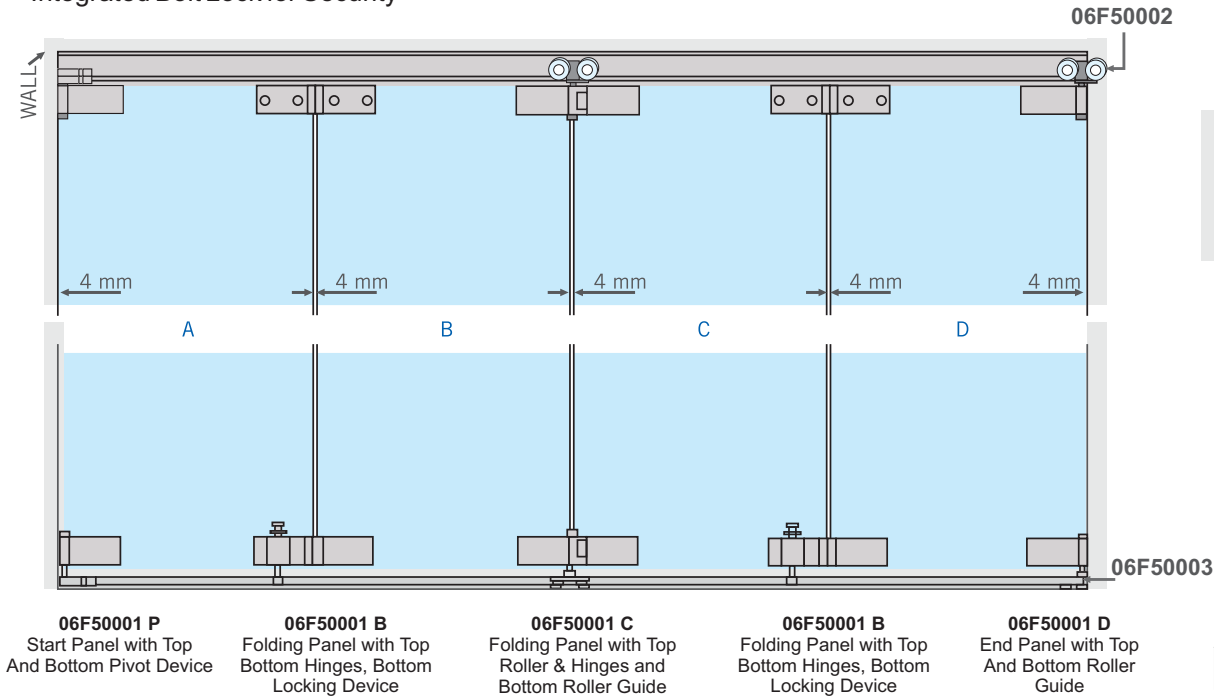
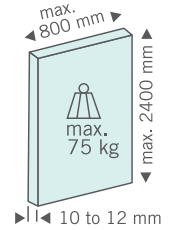
FLUID CARRIER 61

GLASS SIDE FOLDING

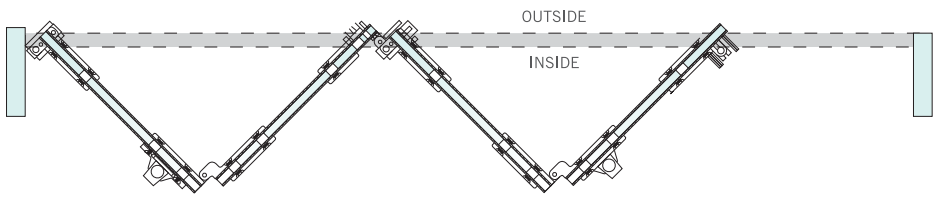
PRODUCT DESCRIPTION

- Advanced Folding System for 6 Glass Panels
- Designed for both Interior and Exterior Applications
- Panels are connected using a hinges system
- Premium rollers for easy & smooth running
- Integrated Bolt Lock for Security

Material
Stainless Steel 304
Finish
Satin Stainless Steel (SSS)



- 06F50001 P** Start Panel with Top And Bottom Pivot Device
- 06F50001 B** Folding Panel with Top Bottom Hinges, Bottom Locking Device
- 06F50001 C** Folding Panel with Top Roller & Hinges and Bottom Roller Guide
- 06F50001 B** Folding Panel with Top Bottom Hinges, Bottom Locking Device
- 06F50001 D** End Panel with Top And Bottom Roller Guide



Calculation of Glass weight

Thickness of glass	Approx weight per sq. ft
6mm	1.40 kg
8mm	1.85 kg
10mm	2.35 kg
12mm	2.95 kg

06F50001 P
Top and Bottom Pivot

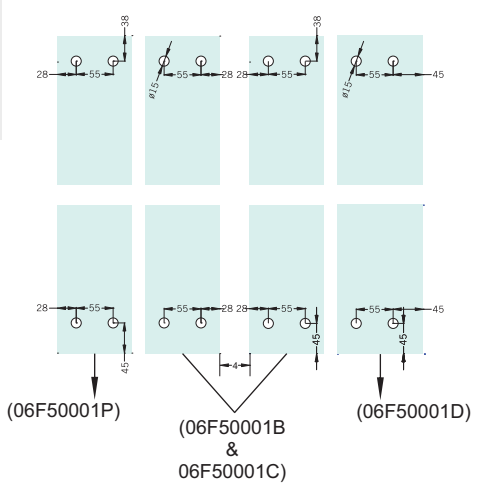
06F50001 B
Glass to Glass Connector with Locking Stopper

06F50001 C
Intermediate Roller with Guide Roller

06F50001 D
End Roller with Guide Roller

06F50002
Top Aluminium Track
Length : 3600 mm

06F50003
Bottom Aluminium Track
Length : 3600 mm



GLASS PREPARATION

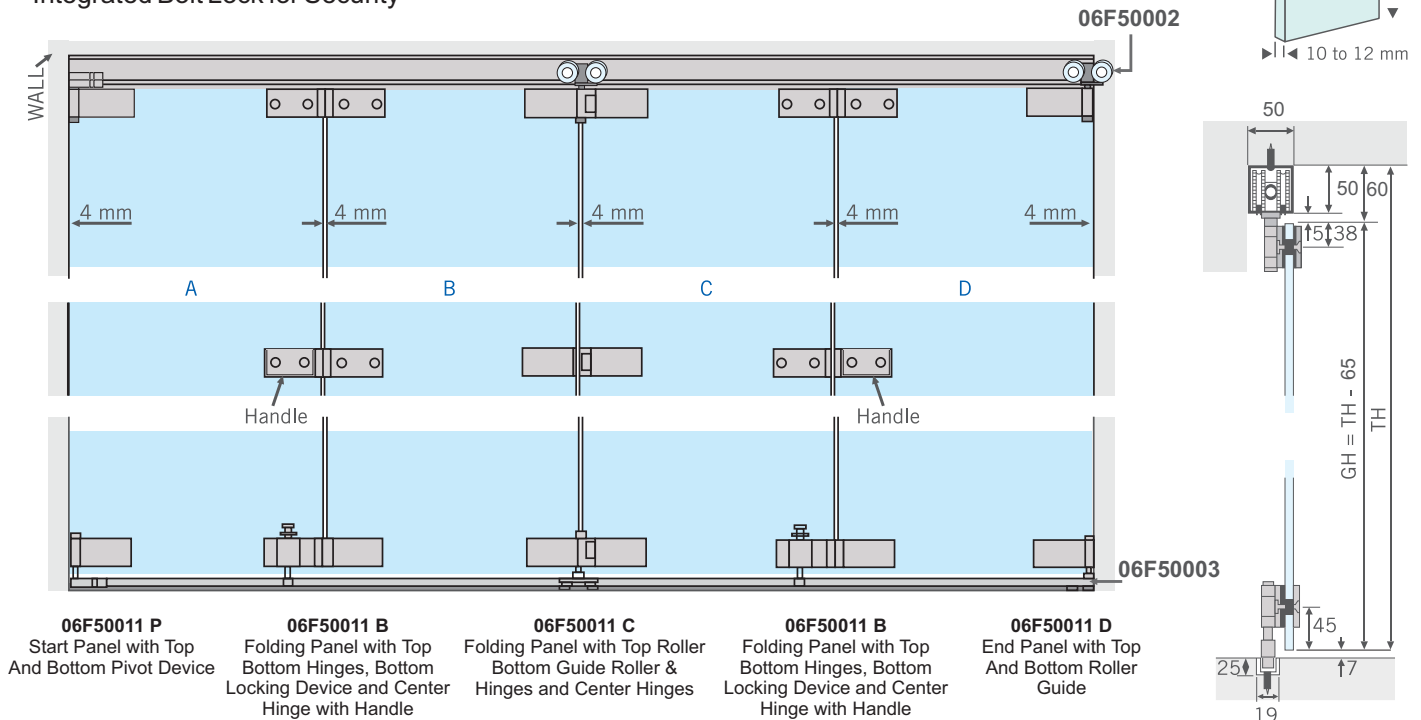
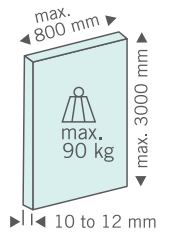
FLUID CARRIER 62

GLASS SIDE FOLDING

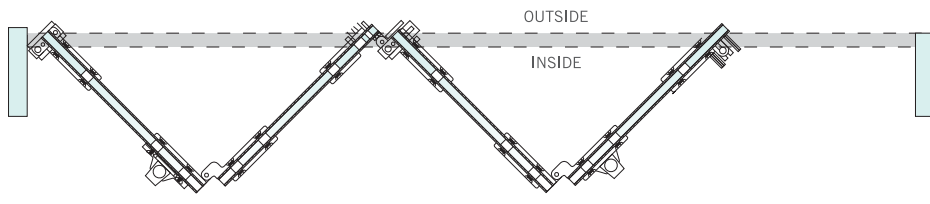
PRODUCT DESCRIPTION

- Advanced Folding System for 6 Glass Panels
- Designed for both Interior and Exterior Applications
- Panels are connected using a hinges system
- Premium rollers for easy & smooth running
- Integrated Bolt Lock for Security

Material
Stainless Steel 304
Finish
Satin Stainless Steel (SSS)



- 06F50011 P** Start Panel with Top And Bottom Pivot Device
- 06F50011 B** Folding Panel with Top Bottom Hinges, Bottom Locking Device and Center Hinge with Handle
- 06F50011 C** Folding Panel with Top Roller Bottom Guide Roller & Hinges and Center Hinges
- 06F50011 B** Folding Panel with Top Bottom Hinges, Bottom Locking Device and Center Hinge with Handle
- 06F50011 D** End Panel with Top And Bottom Roller Guide



Calculation of Glass weight

Thickness of glass	Approx weight per sq. ft
6mm	1.40 kg
8mm	1.85 kg
10mm	2.35 kg
12mm	2.95 kg

06F50011 P
Top and Bottom Pivot

06F50011 B
Glass to Glass Connector with Locking Stopper

06F50011 C
Intermediate Roller with Guide Roller

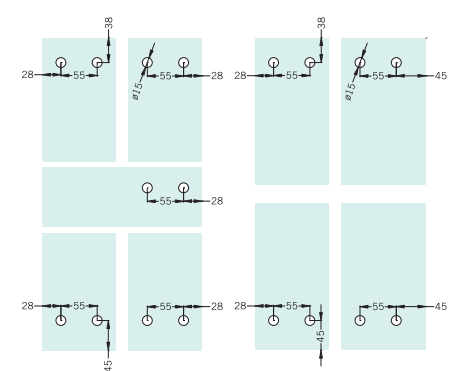
06F50011 D
End Roller with Guide Roller

06F50002
Top Aluminium Track
Length : 3600' mm

06F50003
Bottom Aluminium Track

06F50001 B-H
Glass to Glass Connector without Stopper

06F50001 S
Glass Sliding Folding Stopper



GLASS PREPARATION

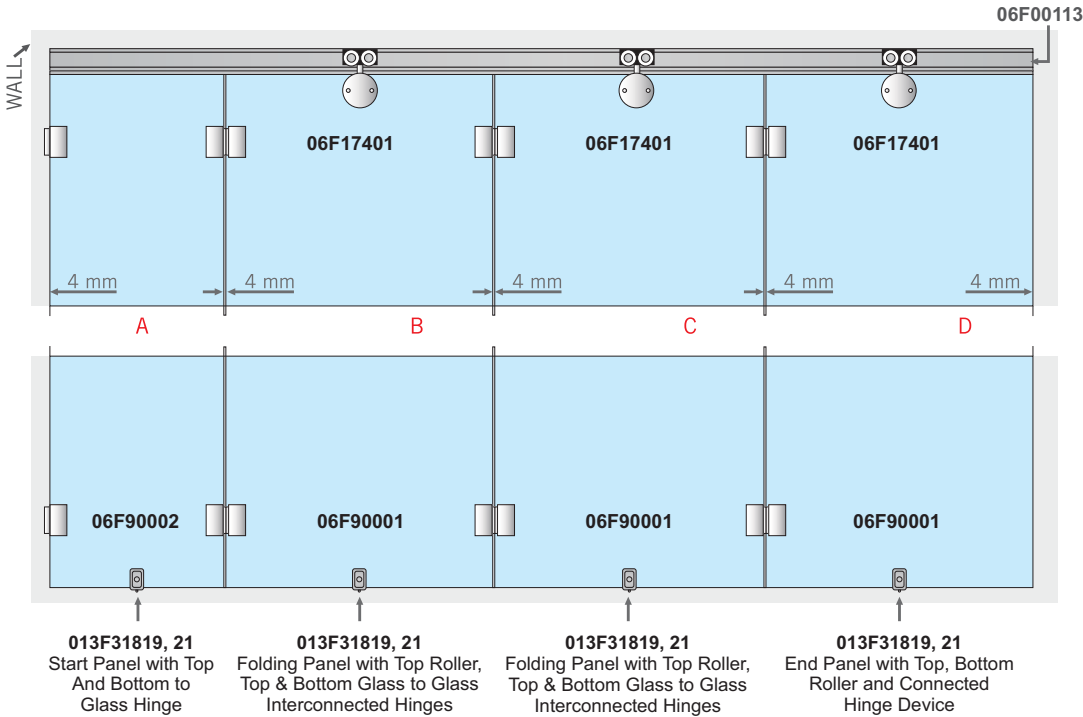
06F Series Glass Sliding

FLUID CARRIER 63

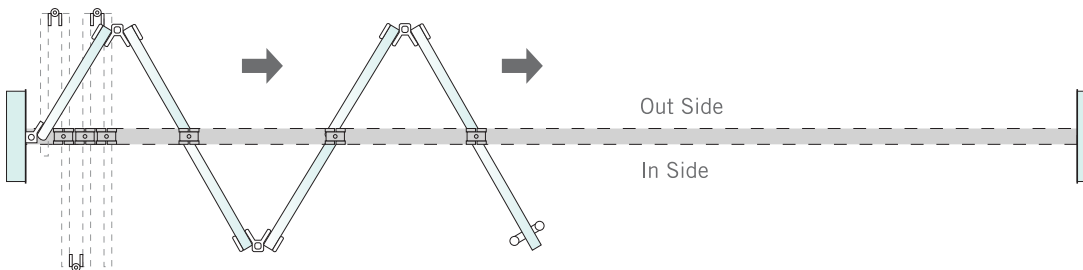
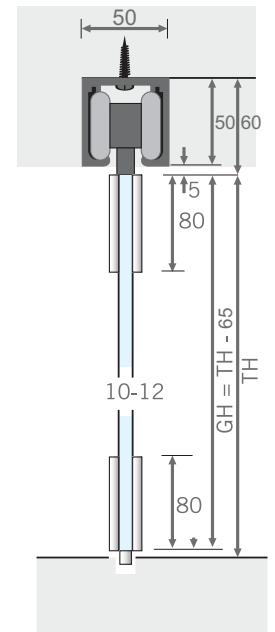
PRODUCT DESCRIPTION

- Advanced Glass Centre Folding System for 6 Glass Panels
- Designed for both Interior and Exterior Applications
- Panels are connected using a hinges system
- Premium rollers for easy & smooth running
- Integrated Bolt Lock for Security

Material
Stainless Steel 304
Finish
SSS & PSS



GLASS CENTRE FOLDING



06F17401
Glass Sliding Door Roller



06F90001
Glass to Glass Interconnecting Hinges



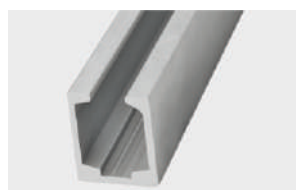
06F90002
Wall to Glass Connecting Hinges



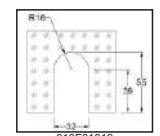
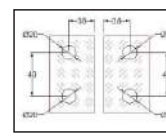
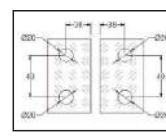
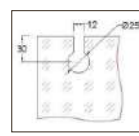
013F31819
Turn Knob Bottom Lock



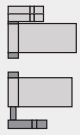
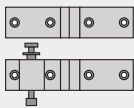
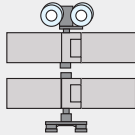
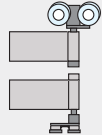
013F31821
Strike Box for 06F31819



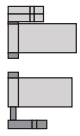
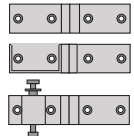
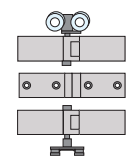
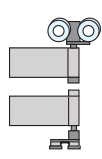
06F00113
Aluminium Anodize Top Track
Length : 3600 mm




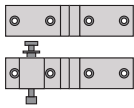
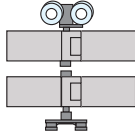
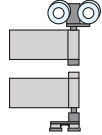
Ordering Information for
Glass Sliding Folding
System - **06F50001P**

				
Item Code	06F50001 P	06F50001 B	06F50001 C	06F50001 D
No. of Panels 02	1 Set/Pkg	1 Set/Pkg	–	1 Set/Pkg
No. of Panels 03	1 Set/Pkg	1 Set/Pkg	1 Set/Pkg	–
No. of Panels 04	1 Set/Pkg	2 Set/Pkg	1 Set/Pkg	1 Set/Pkg
No. of Panels 05	1 Set/Pkg	2 Set/Pkg	2 Set/Pkg	–
No. of Panels 06	1 Set/Pkg	3 Set/Pkg	2 Set/Pkg	1 Set/Pkg


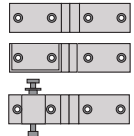
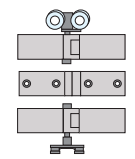
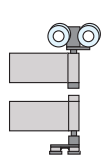
Ordering Information for
Glass Sliding Folding
System - **06F50011P**

				
Item Code	06F50011 P	06F50011 B	06F50011 C	06F50011 D
No. of Panels 02	1 Set/Pkg	1 Set/Pkg	–	1 Set/Pkg
No. of Panels 03	1 Set/Pkg	1 Set/Pkg	1 Set/Pkg	–
No. of Panels 04	1 Set/Pkg	2 Set/Pkg	1 Set/Pkg	1 Set/Pkg
No. of Panels 05	1 Set/Pkg	2 Set/Pkg	2 Set/Pkg	–
No. of Panels 06	1 Set/Pkg	3 Set/Pkg	2 Set/Pkg	1 Set/Pkg

Ordering Information for
Glass Sliding Folding
System - **06F50001H**

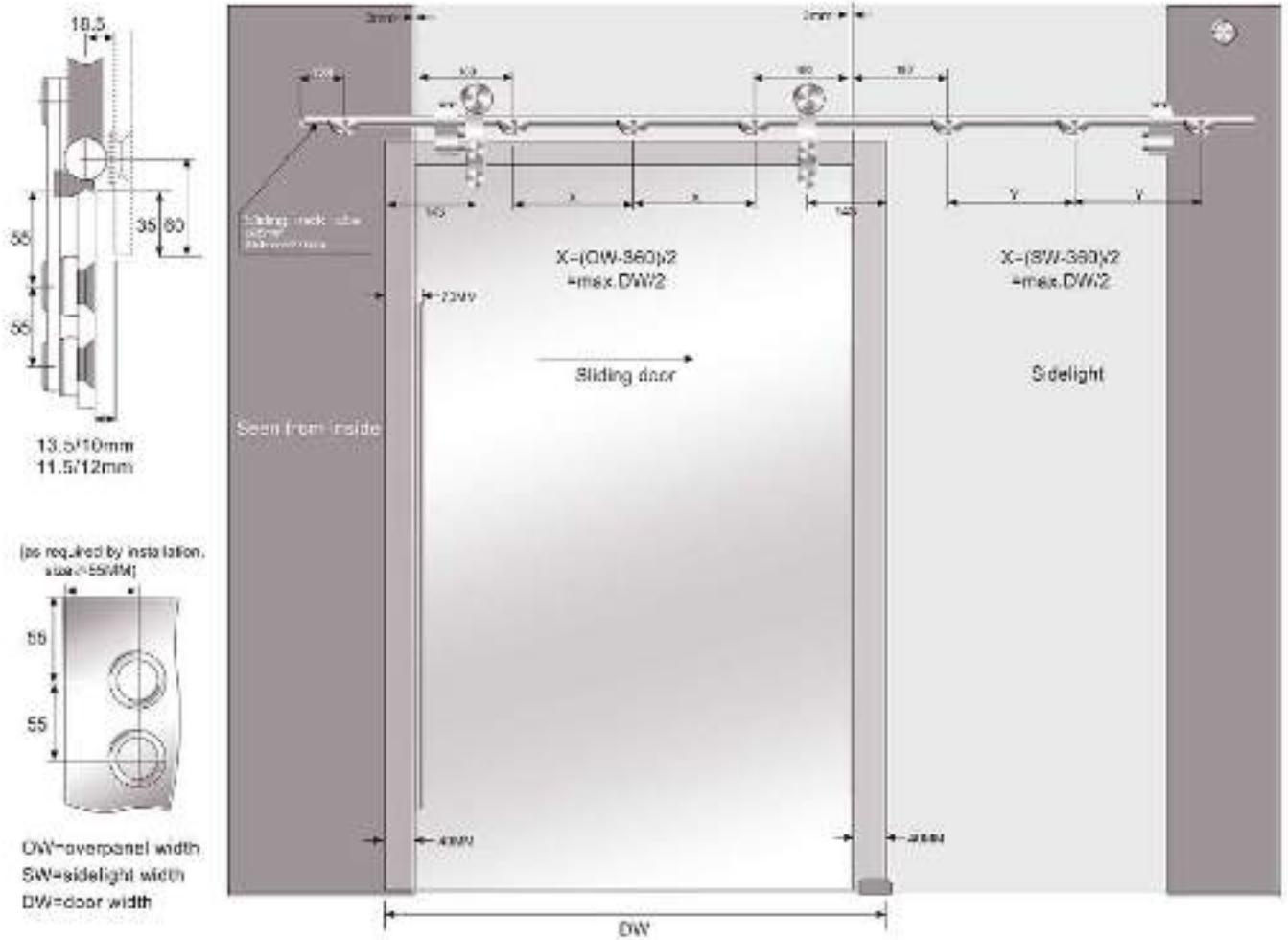
				
Item Code	06F50001 H	06F50001 B	06F50001 C	06F50001 D
No. of Panels 02	1 Set/Pkg	1 Set/Pkg	–	1 Set/Pkg
No. of Panels 03	1 Set/Pkg	1 Set/Pkg	1 Set/Pkg	–
No. of Panels 04	1 Set/Pkg	2 Set/Pkg	1 Set/Pkg	1 Set/Pkg
No. of Panels 05	1 Set/Pkg	2 Set/Pkg	2 Set/Pkg	–
No. of Panels 06	1 Set/Pkg	3 Set/Pkg	2 Set/Pkg	1 Set/Pkg

Ordering Information for
Glass Sliding Folding
System - **06F50011H**

				
Item Code	06F50011 H	06F50011 B	06F50011 C	06F50011 D
No. of Panels 02	1 Set/Pkg	1 Set/Pkg	–	1 Set/Pkg
No. of Panels 03	1 Set/Pkg	1 Set/Pkg	1 Set/Pkg	–
No. of Panels 04	1 Set/Pkg	2 Set/Pkg	1 Set/Pkg	1 Set/Pkg
No. of Panels 05	1 Set/Pkg	2 Set/Pkg	2 Set/Pkg	–
No. of Panels 06	1 Set/Pkg	3 Set/Pkg	2 Set/Pkg	1 Set/Pkg

06F Series Glass Sliding

INSTALLING



STANDARD APPLICATION



TECHNOLOGICAL DATA

Daylight opening	Entry width	Door width	Tube length
910-1010mm	800-900mm	880-980mm	2038mm
1010-1110mm	900-1000mm	980-1080mm	2238mm
1110-1210mm	1000-1100mm	1080-1180mm	2438mm
1210-1310mm	1100-1200mm	1180-1280mm	2638mm

THE DISTANCE FOR CLAMP FIXING FOR TRACK, WALL FIXING :

1. Weight 80kg : max-distance between the clamps=1/2 the width of the door;
2. Weight 80kg-120kg : max-distance between the clamps=1/3 the width of the door;
3. Weight 120kg-150kg : max-distance between the clamps=1/4 the width of the door;



06F17460

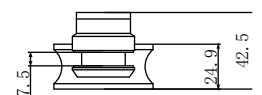
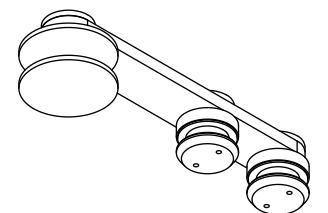
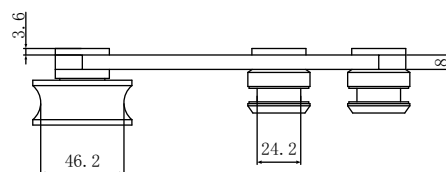
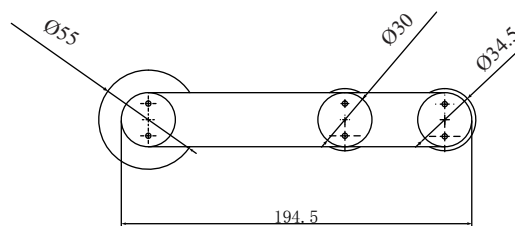
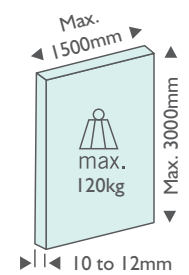
Sliding Door Roller



SPECIFICATION

- 10mm-12mm Glass
- Large Diameter Roller for Smooth Running
- Trouble Free Operation
- Material : SS 304
- Maximum Glass Weight : 120kg
- Finish : SSS

GLASS SIDE FITTING



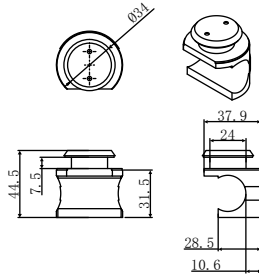
06F Series Glass Sliding

06F17461

Clamp Fixing for Glass to Rod



x1



SPECIFICATION

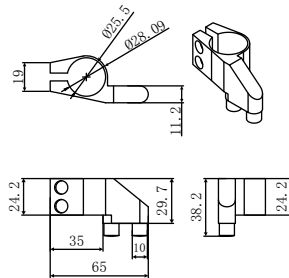
- 10mm-12mm Glass
- Trouble Free Operation
- Material : SS 304
- Finish : SSS

06F17462

Door Stopper



x1



SPECIFICATION

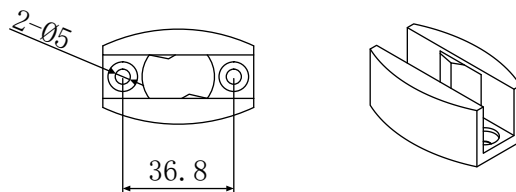
- Material : SS 304
- Finish : SSS

06F17463

Floor Guide



x1



SPECIFICATION

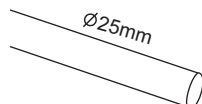
- 10mm-12mm Glass
- Material : Zinc Alloy
- Finish : SSS

06F17471

Sliding Track



x1



SPECIFICATION

- Material : SS 304
- Size : 3600mm
- Finish : SSS



06F17482

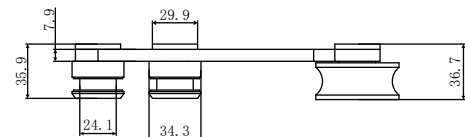
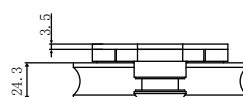
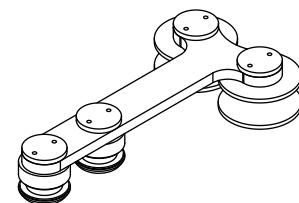
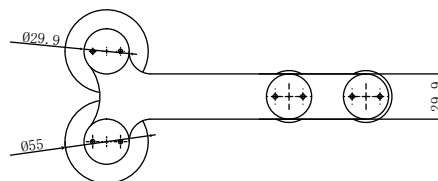
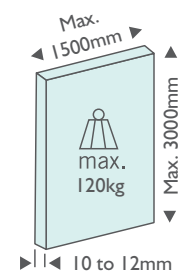
Sliding Door Roller



SPECIFICATION

- 10mm-12mm Glass
- Large Diameter Roller for Smooth Running
- Trouble Free Operation
- Material : SS 304
- Maximum Glass Weight : 120kg
- Finish : SSS

GLASS SIDE FITTING



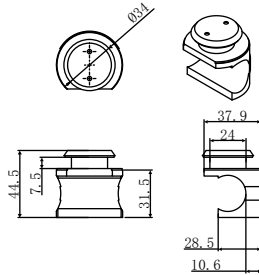
06F Series Glass Sliding

06F17461

Clamp Fixing for Glass to Rod



x1



SPECIFICATION

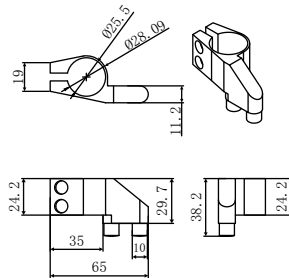
- 10mm-12mm Glass
- Trouble Free Operation
- Material : SS 304
- Finish : SSS

06F17462

Door Stopper



x1



SPECIFICATION

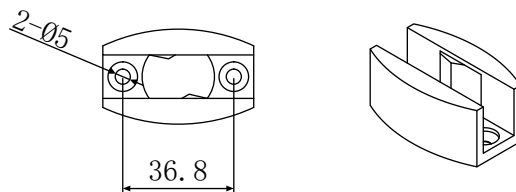
- Material : SS 304
- Finish : SSS

06F17463

Floor Guide



x1



SPECIFICATION

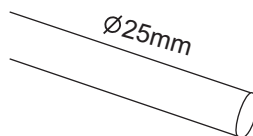
- 10mm-12mm Glass
- Material : Zinc Alloy
- Finish : SSS

06F17471

Sliding Track



x1



SPECIFICATION

- Material : SS 304
- Size : 3600mm
- Finish : SSS

